

1

2

3

4

5

6

00			PICCOLO M.	PICCOLO M.
rev.	CHANGE DESCRIPTION	DATE	DRAWN	VALIDATE

A

B

C

D

E

F

G

H

A

B

C

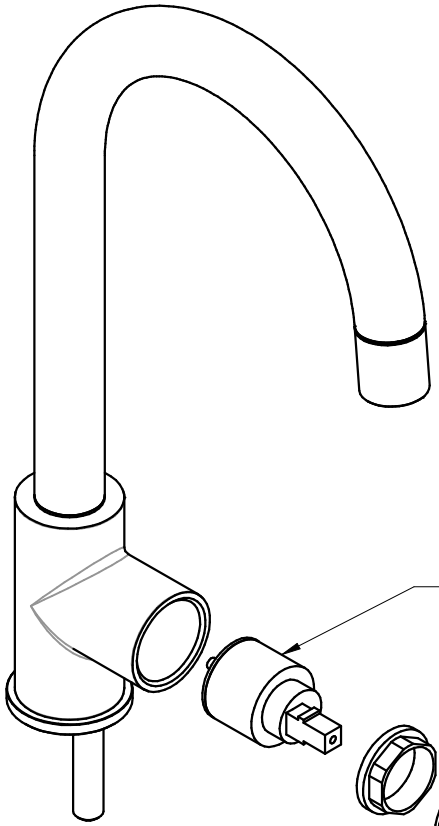
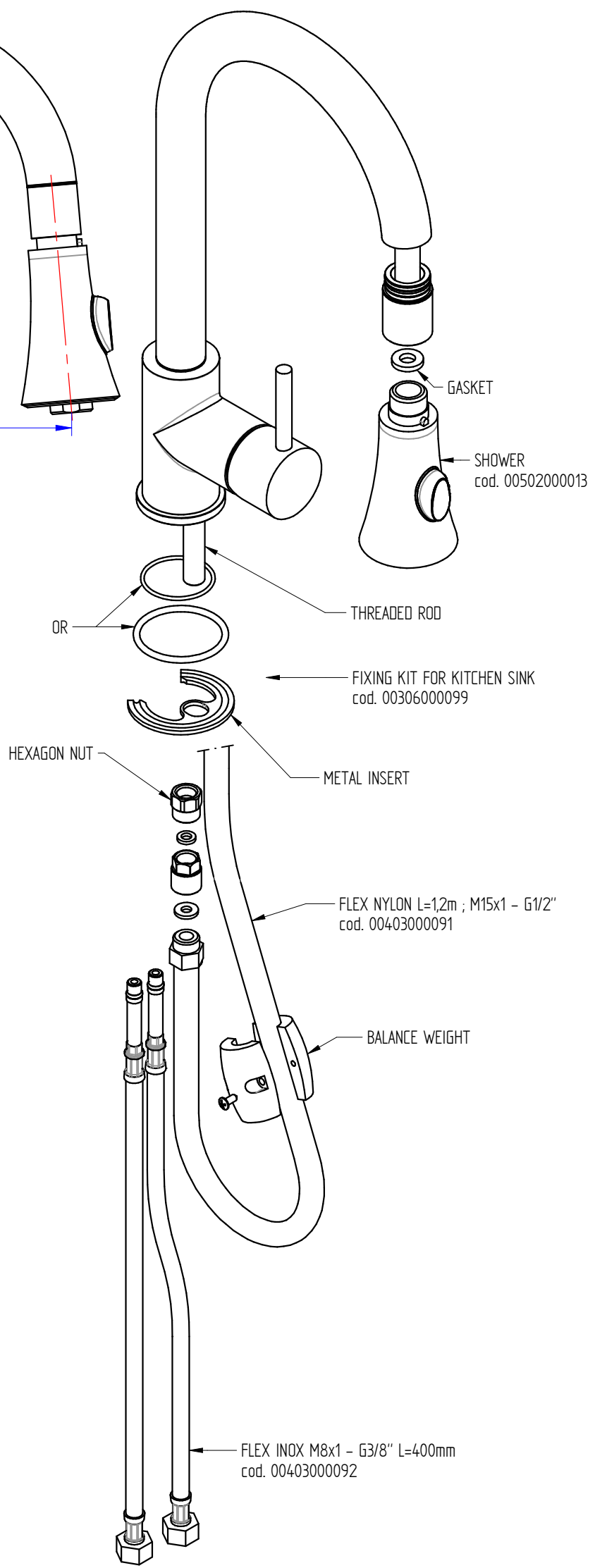
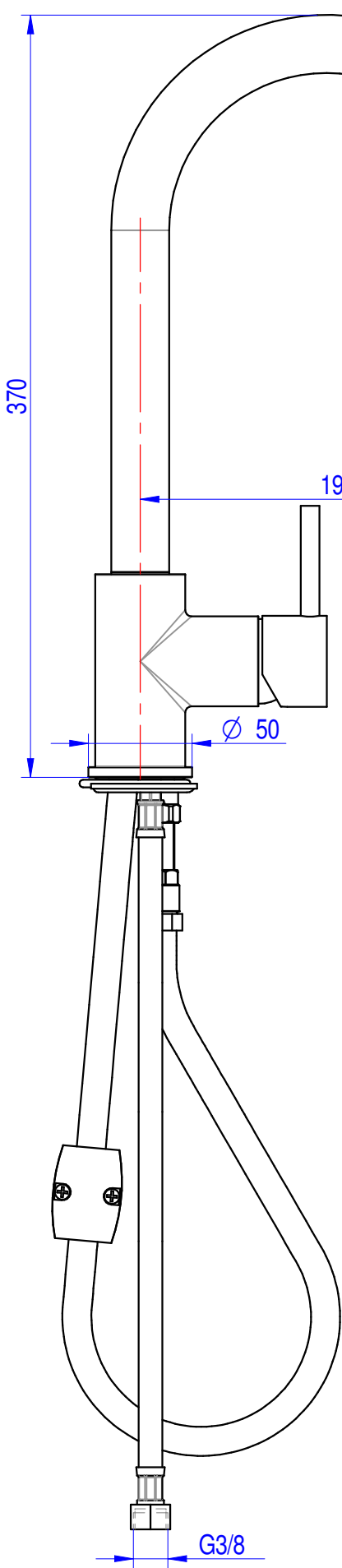
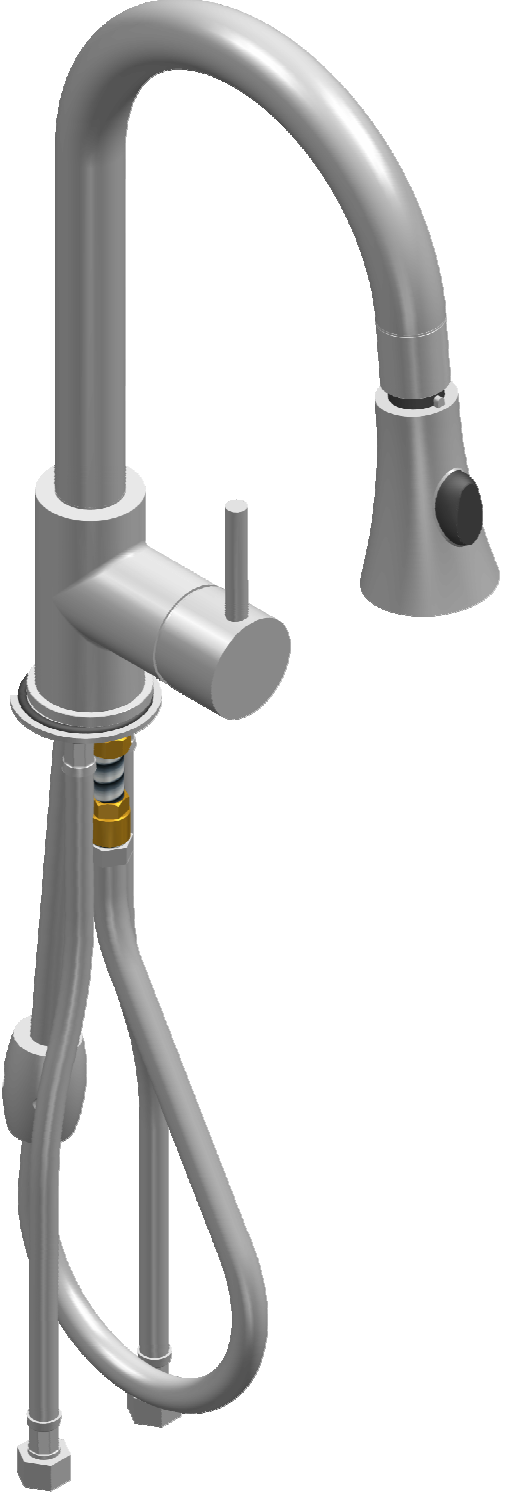
D

E

F

G

H



CERAMIC DISKS CARTRIDGE
cod. 00304000030

SHORT LEVER 9x9
cod. 00704000010

sink fixing hole : ø30 mm

Shares without tolerance according to standard UNI-EN-22768-1-m		DESCRIPTION ONE HOLE MIXER VERTICAL TAP WITH TURNING PIPE AND EXTRACTABLE SHOWER	CODE EROS002
SIZE A3	European Projection		WEIGHT 2,3 Kg
DATE 11/03/2019	SCALE 1:3	 MONOLITH DESIGN AND TECHNOLOGICAL RESEARCH FOR WATER VIA DELL'ARTIGIANO 8/F-8-G, 31050 MONASTIER di TREVISO (TV) tel: 0422 842157 - fax: 0422 708978	
DRAWN PICCOLO M.			
VALIDATE PICCOLO M.			

DONE WITH DESIGN CAD - PROHIBITED THE CHANGES MANUAL

1

2

3

4

5

6