

1 2 3 4 5 6 7 8

CONNECTION  
cod. 00407000018

SOLENOID VALVE  
cod. 00407000015

A

A

B

B

C

C

D

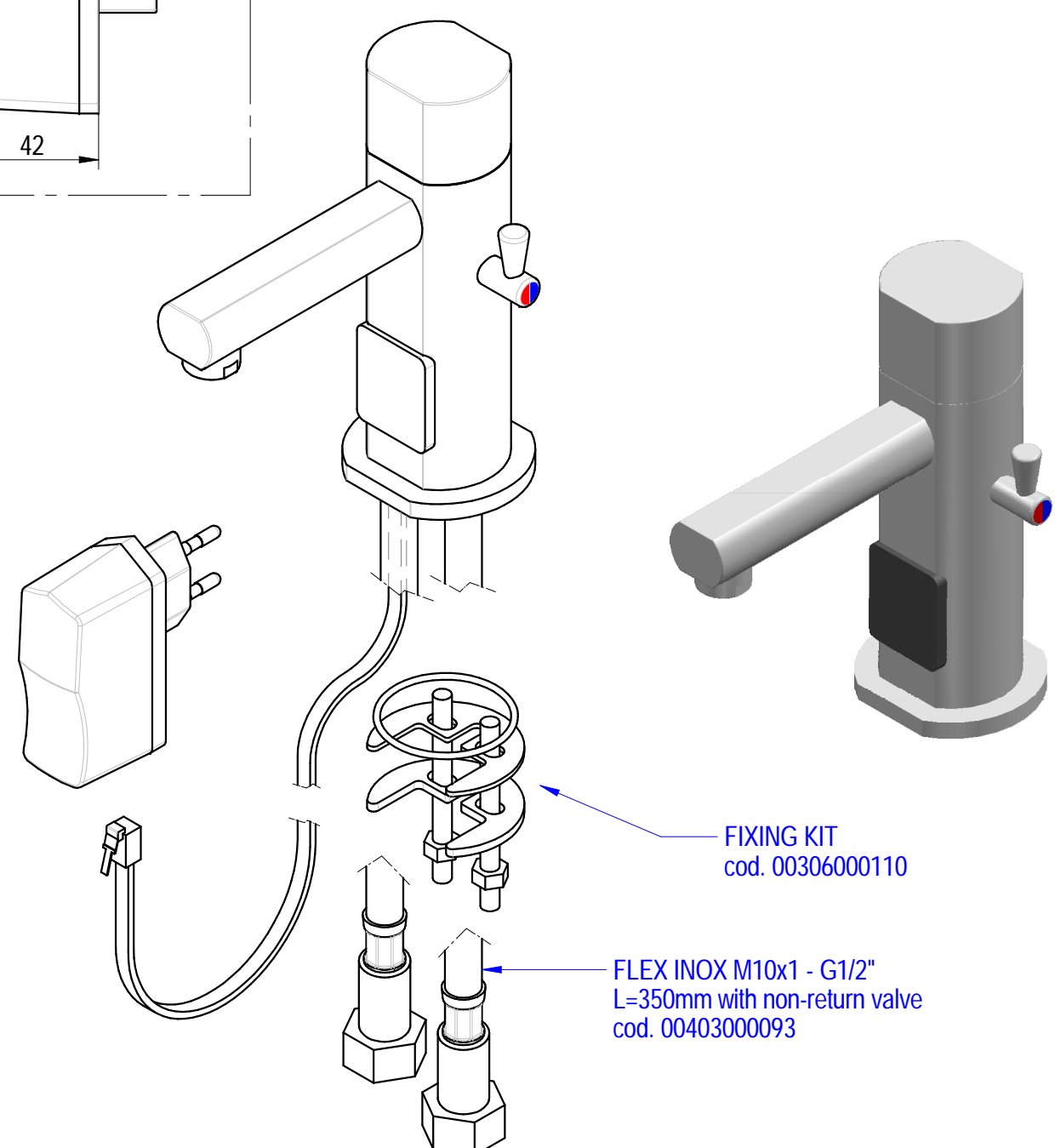
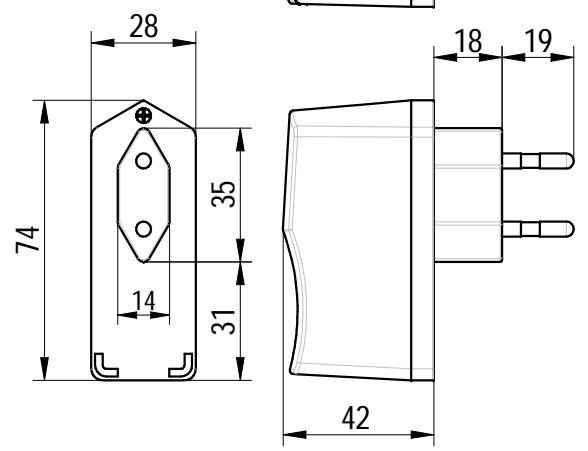
D

E

E

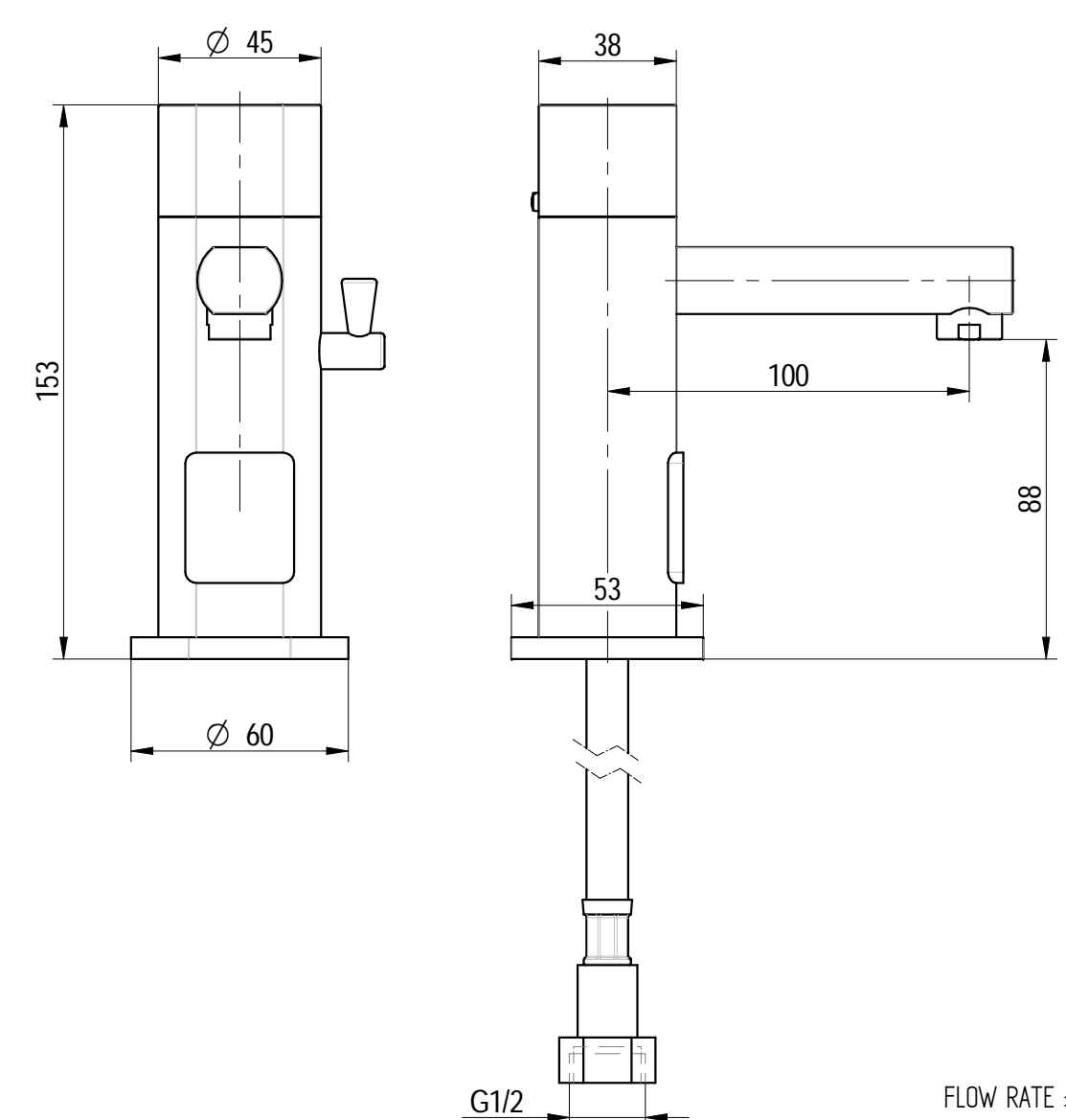
F

F



FIXING KIT  
cod. 00306000110

FLEX INOX M10x1 - G1/2"  
L=350mm with non-return valve  
cod. 00403000093



FLOW RATE : 8 L/min  
sink fixing hole : ø30 mm

CONNECTION : wall plug switching power supply,connection RJ-9  
INPUT : 100-240V,50-60Hz,0.1 A

Shares without tolerance according to standard UNI-EN-22768-1-m		DESCRIPTION	CODE
SIZE	 European Projection	PHOTOCELL ELECTRONIC MIXER TAP ELECTRICITY POWERED	ZEUS007/C
A3			WEIGHT
DATE	SCALE	 DESIGN AND TECHNOLOGICAL RESEARCH FOR WATER	VIA DELL'ARTIGIANO 8/F-8-G , 31050 MONASTIER di TREVISO (TV) tel: 0422 842157 - fax: 0422 708978
22-10-2018	12		
DRAWN	PICCOLO M.		
VALIDATE	PICCOLO M.	DONE WITH DESIGN CAD - PROHIBITED THE CHANGES MANUAL	

1 2 3 4 5 6 7 8