

1

2

3

4

5

6

7

8

A

A

B

B

C

C

D

D

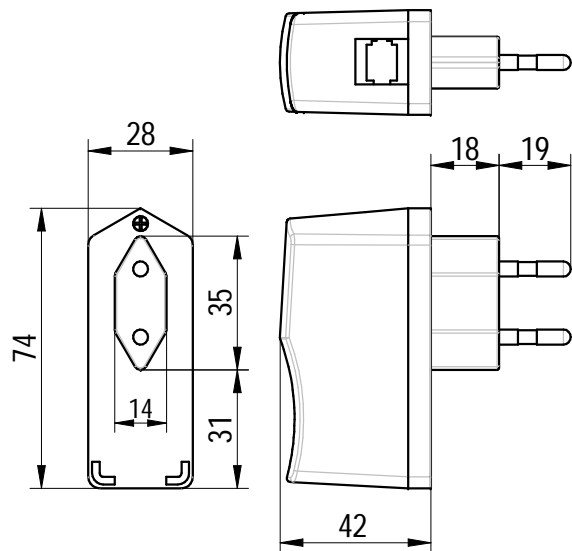
E

E

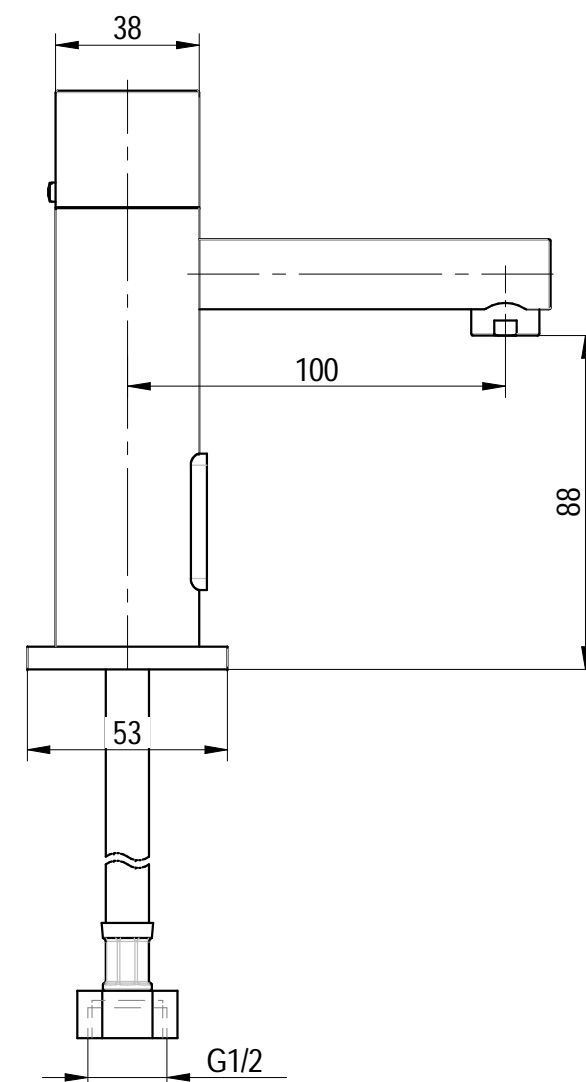
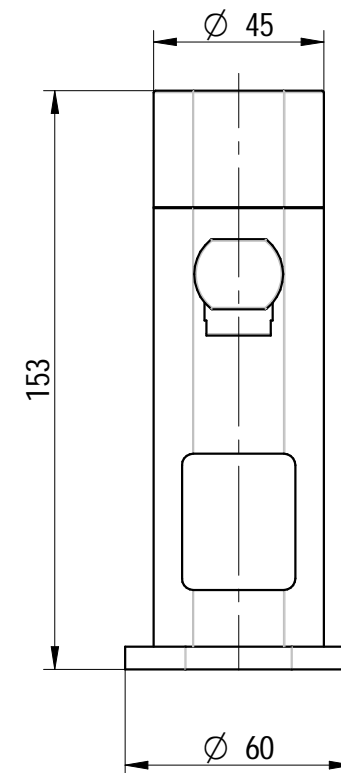
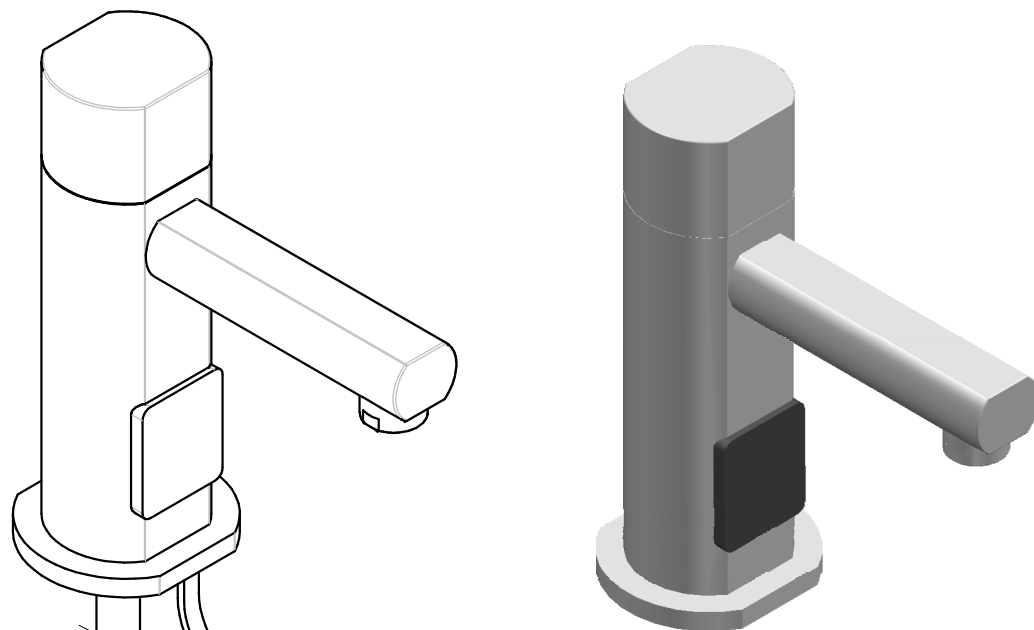
F

F

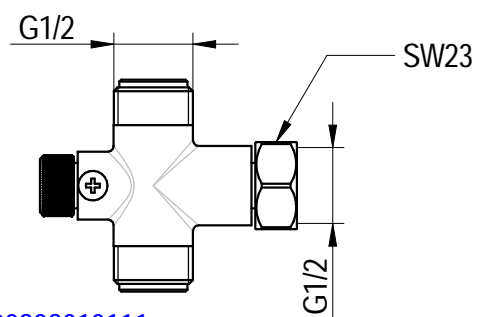
CONNECTION  
cod. 00407000018



SOLENOID VALVE  
cod. 00407000015



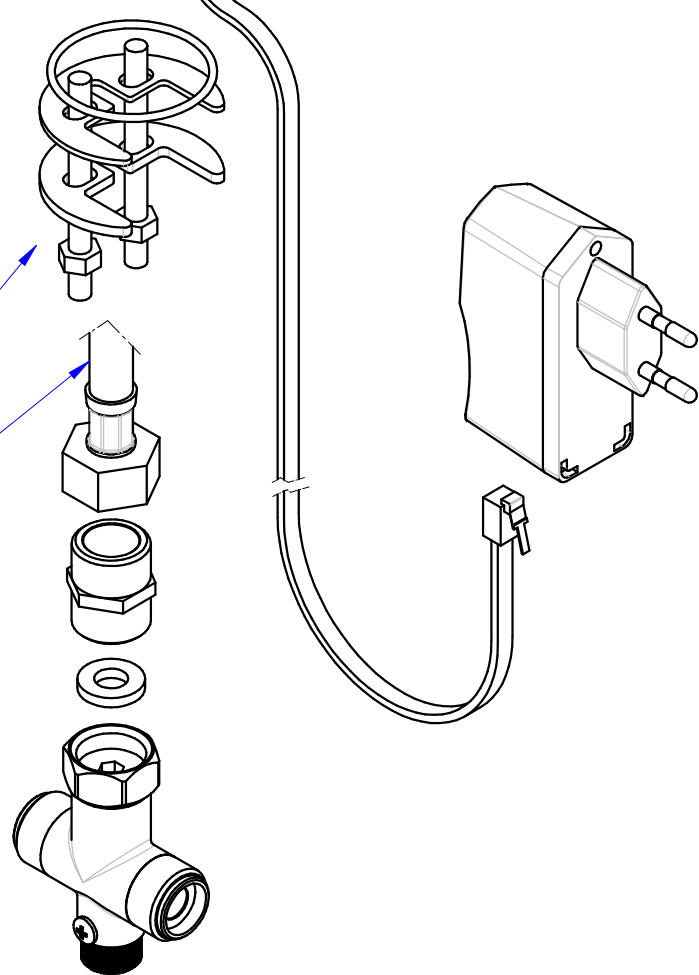
PRE-MIXER




cod. R0902010111

FIXING KIT  
cod. 00306000110

FLEX INOX M10x1 - G1/2" L=400mm  
cod. 00403000004



FLOW RATE : 8 L/min  
sink fixing hole : ø30 mm

Shares without tolerance according to standard UNI-EN-22768-1-m		DESCRIPTION <b>PHOTOCELL ELECTRONIC TAP ELECTRICITY POWERED</b>	CODE ZEUS006/C
SIZE A3	European Projection		WEIGHT 1,39 Kg
DATE 19/10/2018	SCALE 1:1	 <b>MONOLITH</b> DESIGN AND TECHNOLOGICAL RESEARCH FOR WATER VIA DELL'ARTIGIANO 8/F-8-G , 31050 MONASTIER di TREVISO (TV) tel: 0422 842157 - fax: 0422 708978	
DRAWN PICCOLO M.			
VALIDATE PICCOLO M.			
DONE WITH DESIGN CAD - PROHIBITED THE CHANGES MANUAL			

CONNECTION : wall plug switching power supply,connection RJ-9  
INPUT : 100-240V,50-60Hz,0.1 A