

1

2

3

4

5

6

7

8

A

A

B

B

C

C

D

D

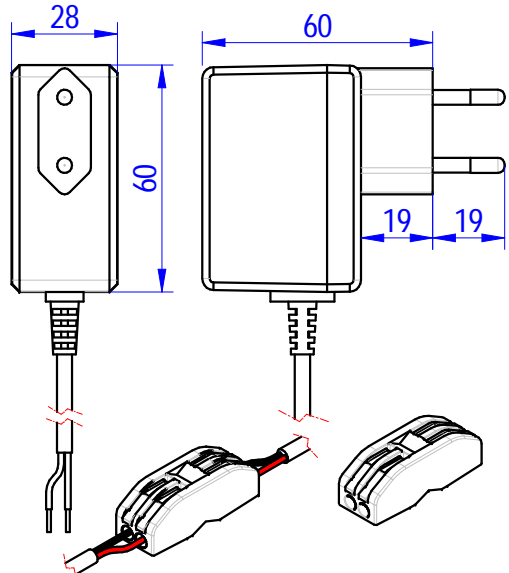
E

E

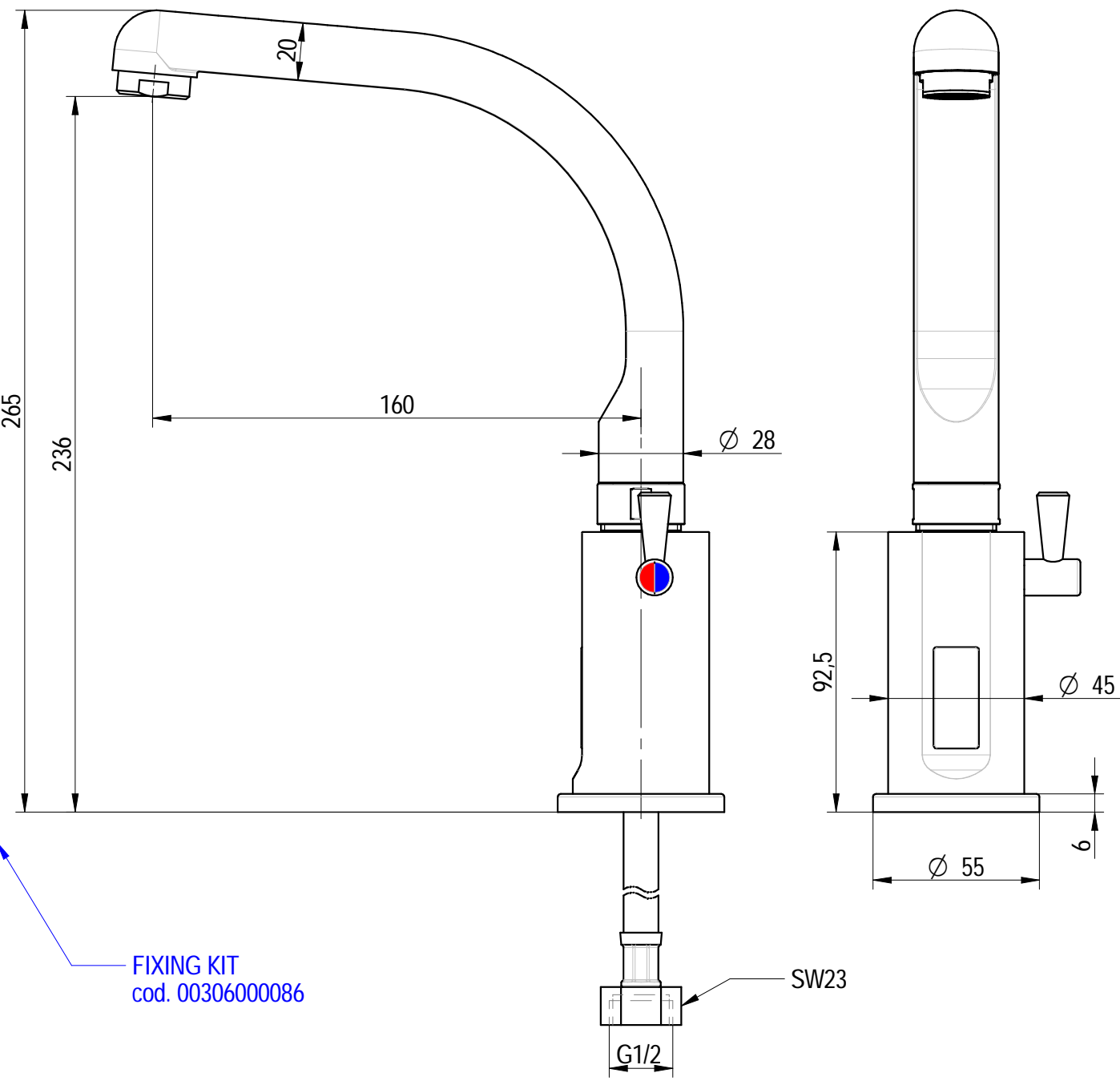
F

F

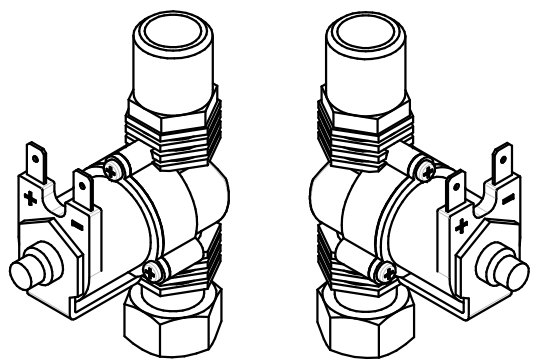
CONNECTION
cod. 0040700027



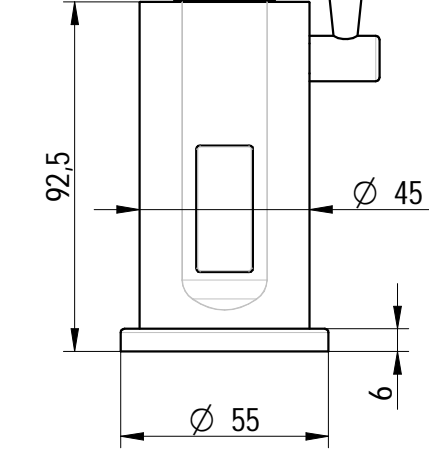
SWINGING SPOUT
cod. 0060500010



SOLENOID VALVE



FIXING KIT
cod. 0030600086



sink fixing hole : Ø30 mm

FLOW RATE : 8 L/min

cod. 0040700019

CONNECTION : wall plug switching power supply
INPUT : 100-240V,50-60Hz,0.25A

Shares without tolerance according to standard UNI-EN-22768-1-m		DESCRIPTION	CODE
SIZE	European Projection	PHOTOCELL ELECTRONIC MIXER TAP WITH SWIVEL NOZZLE, ELECTRICITY POWERED	ZEUS003/C
DATE	SCALE		WEIGHT
10-03-2020	12		1,63 Kg
DRAWN		 MONOLITH DESIGN AND TECHNOLOGICAL RESEARCH FOR WATER	
PICCOLO M.			
VALIDATE		VIA DELL'ARTIGIANO 8/F-8-G , 31050 MONASTIER di TREVISO (TV) tel: 0422 842157 - fax: 0422 708978	
PICCOLO M.		DONE WITH DESIGN CAD - PROHIBITED THE CHANGES MANUAL	