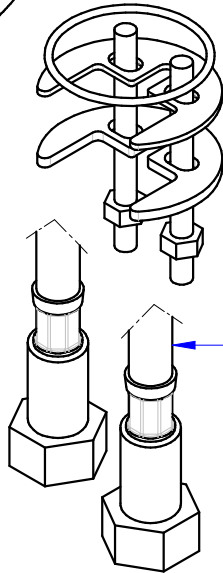
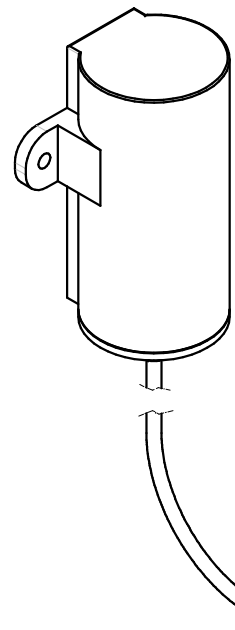
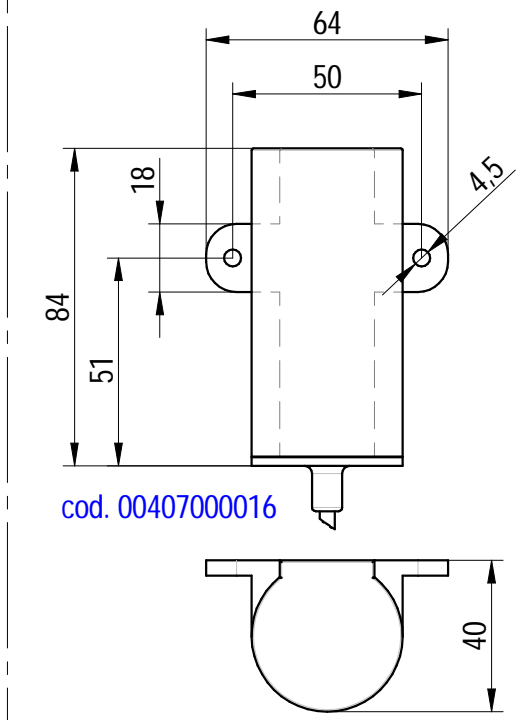
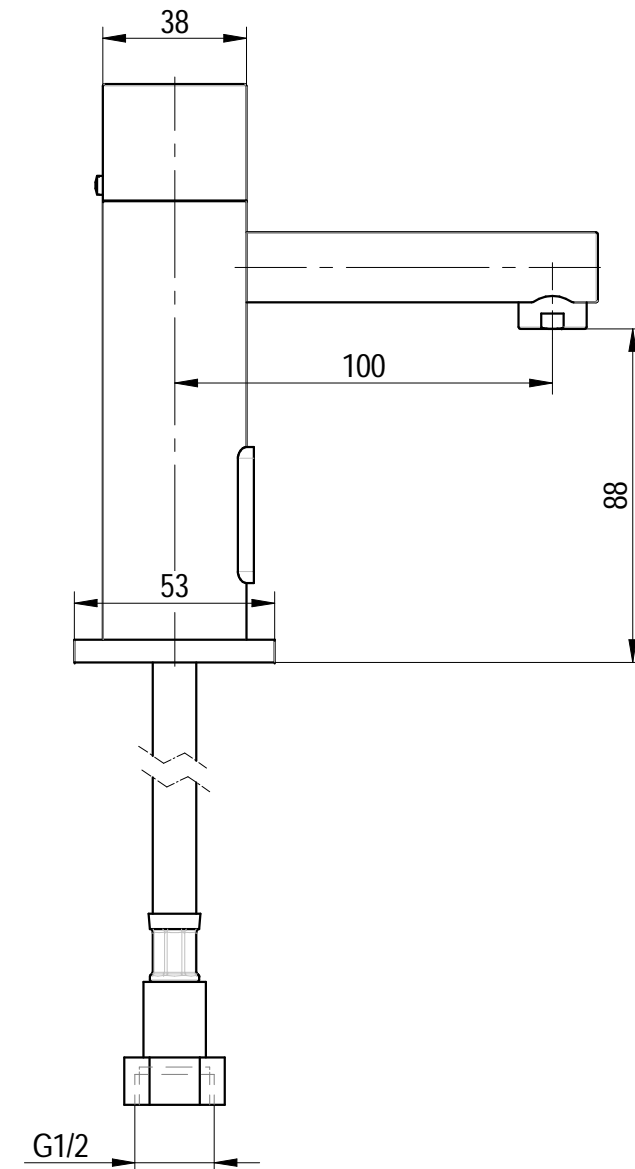
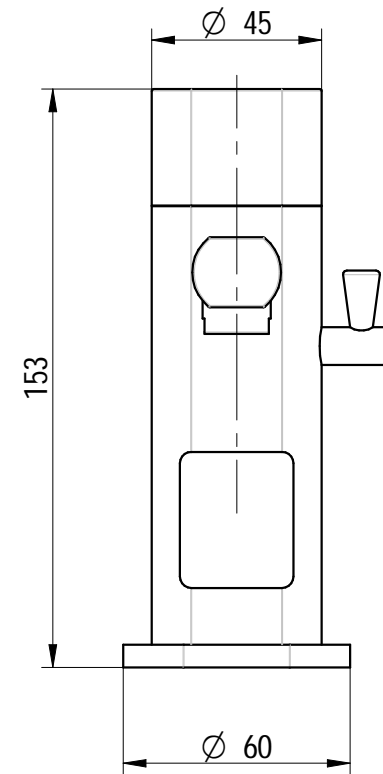
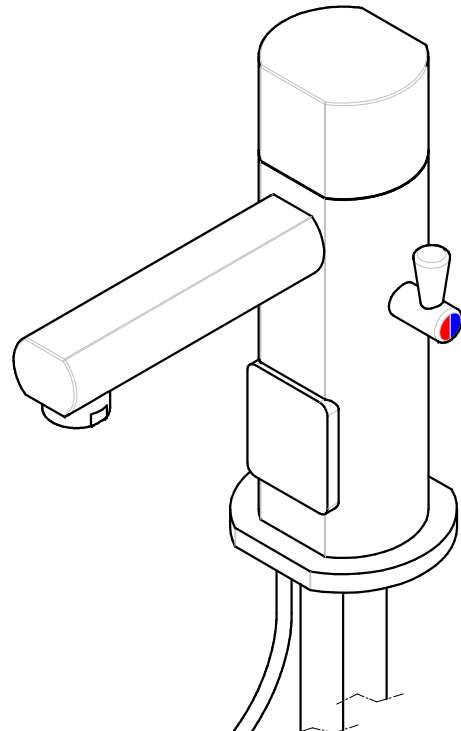


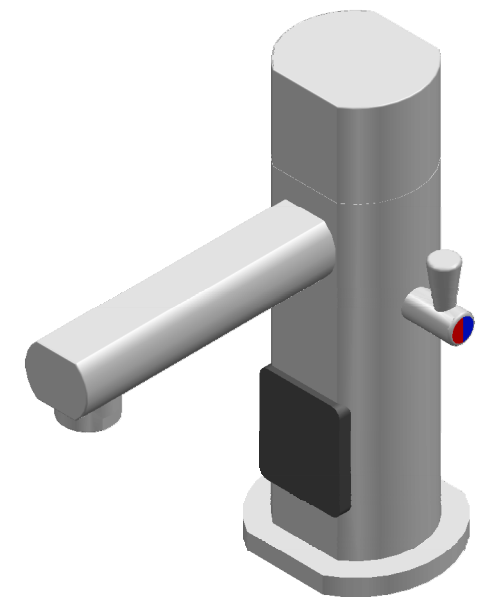
SOLENOID VALVE
cod. 00407000015

BATTERY HOLDER




FIXING KIT
cod. 00306000110

FLEX INOX M10x1 - G1/2"
L=350mm with non-return valve
cod. 00403000093



FLOW RATE : 8 L/min
sink fixing hole : ø30 mm

POWER SUPPLY : Lithium batteries (4x1,5V AA) cod. 00407000017 (NOT SUPPLIED)

Shares without tolerance according to standard UNI-EN-22768-1-m		DESCRIPTION	CODE
SIZE	European Projection	PHOTOCELL ELECTRONIC MIXER TAP BATTERY POWERED	ZEUS007
A3			WEIGHT
DATE	SCALE	1,34 Kg	
22-10-2018	12	 <p>DESIGN AND TECHNOLOGICAL RESEARCH FOR WATER</p> <p>VIA DELL'ARTIGIANO 8/F-8-G , 31050 MONASTIER di TREVISO (TV) tel: 0422 842157 - fax: 0422 708978</p>	
DRAWN			
PICCOLO M.			
VALIDATE		DONE WITH DESIGN CAD - PROHIBITED THE CHANGES MANUAL	
PICCOLO M.			