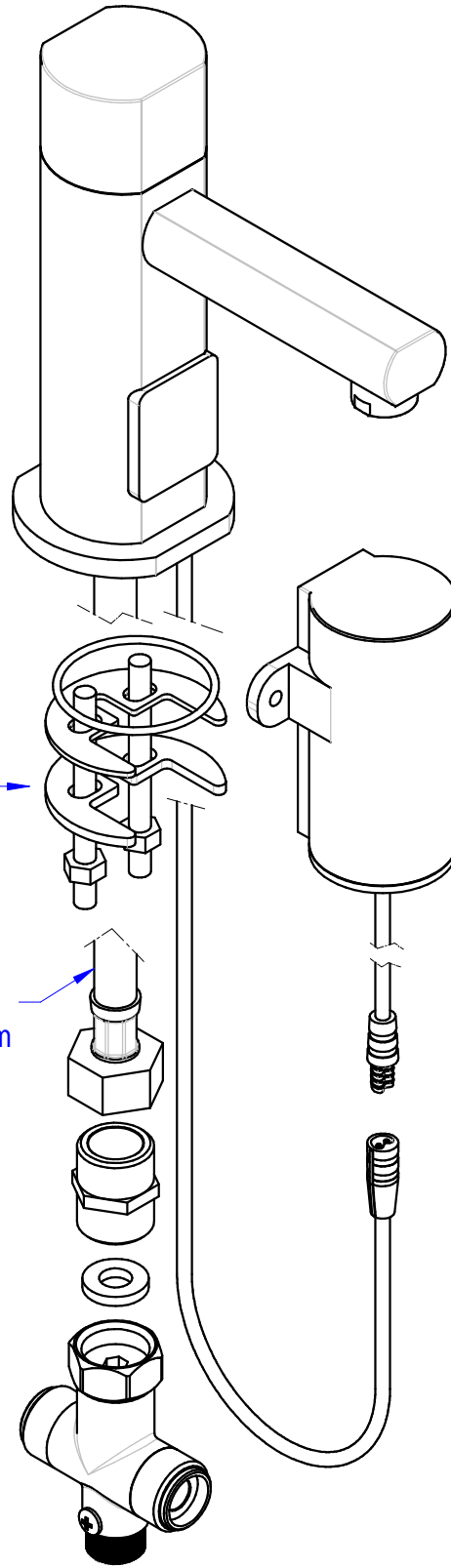
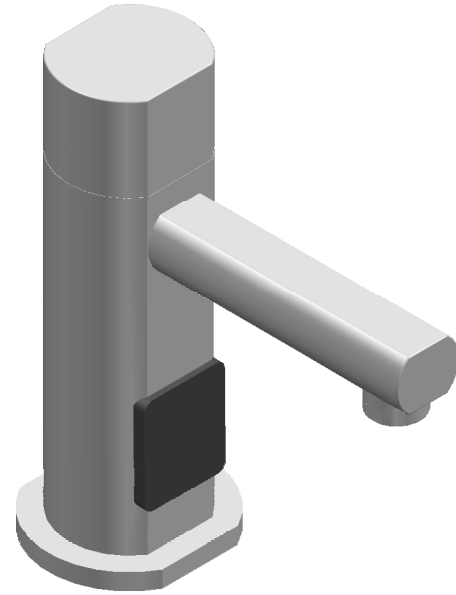


SOLENOID VALVE
cod. 00407000015

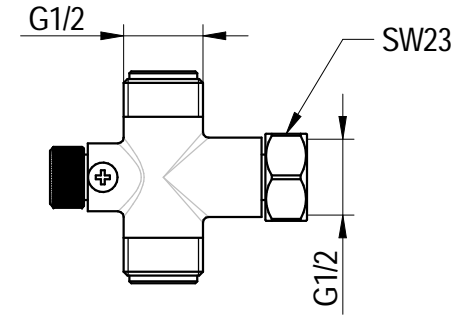


FIXING KIT
cod. 00306000110

FLEX INOX
M10x1 - G1/2" L=400mm
cod. 00403000004

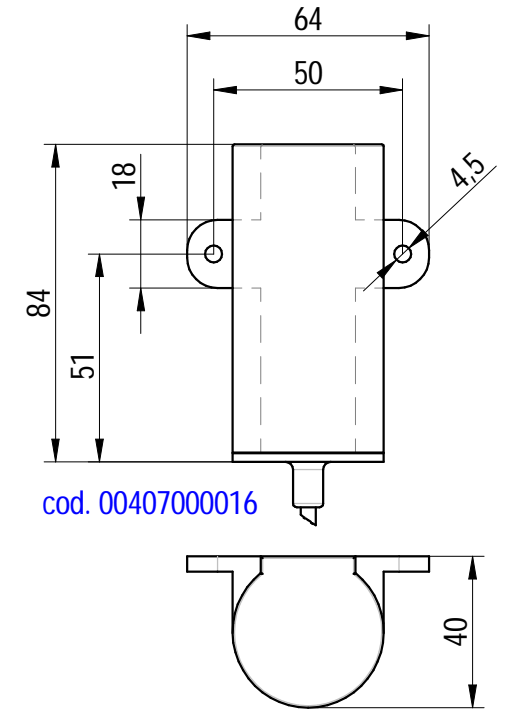


PRE-MIXER

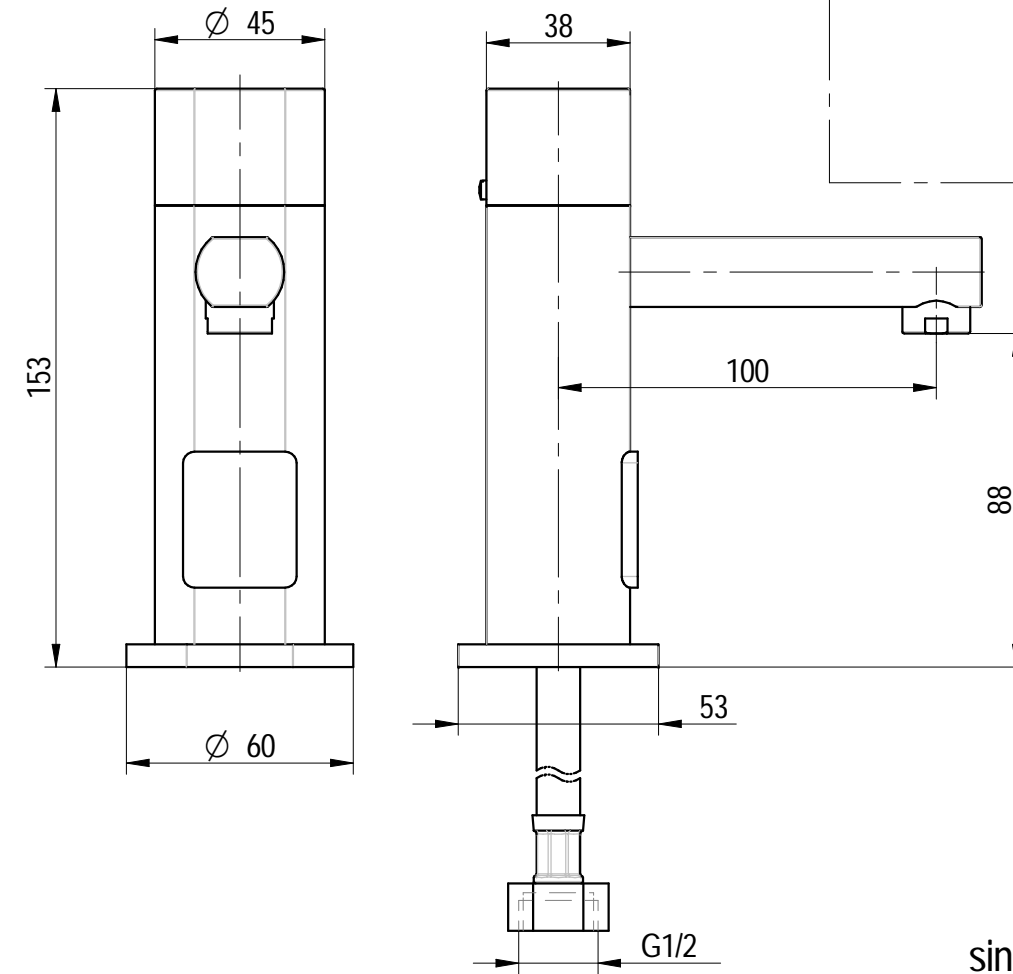


cod. R0902010111

BATTERY HOLDER




cod. 00407000016



FLOW RATE : 8 L/min
sink fixing hole : $\varnothing 30$ mm

POWER SUPPLY : Lithium batteries (4x1,5V AA) cod. 00407000017 (NOT SUPPLIED)

Shares without tolerance according to standard UNI-EN-22768-1-m		DESCRIPTION PHOTOCELL ELECTRONIC TAP BATTERY POWERED	CODE ZEUS006
SIZE A3	European Projection		WEIGHT 1,37 Kg
DATE 19/10/2018	SCALE 1:1	 MONOLITH DESIGN AND TECHNOLOGICAL RESEARCH FOR WATER	VIA DELL'ARTIGIANO 8/F-8-G , 31050 MONASTIER di TREVISO (TV) tel: 0422 842157 - fax: 0422 708978 DONE WITH DESIGN CAD - PROHIBITED THE CHANGES MANUAL
DRAWN PICCOLO M.			
VALIDATE PICCOLO M.			