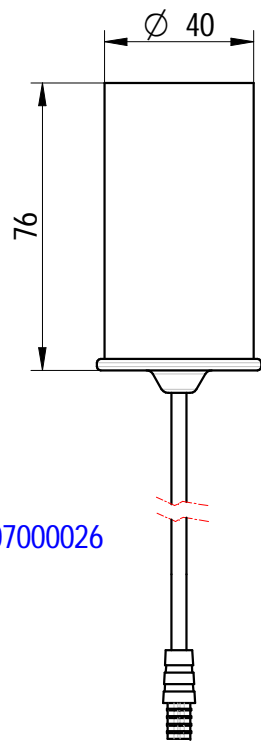
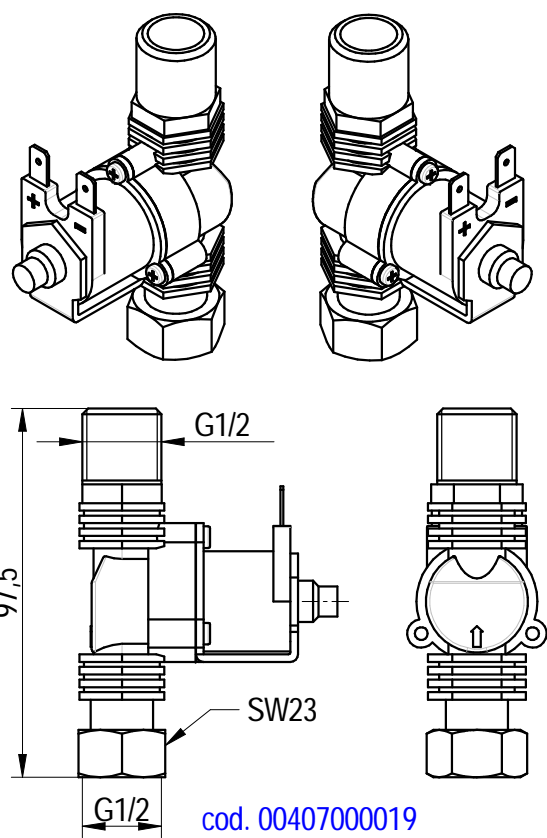


BATTERY HOLDER



cod. 0040700026

SOLENOID VALVE



SWINGING SPOUT
cod. 0060500012

FIXING KIT
cod. 00306000086

sink fixing hole : $\varnothing 30$ mm

FLOW RATE : 8 L/min

Shares without tolerance according to standard UNI-EN-22768-1-m		DESCRIPTION	CODE
SIZE	 European Projection	PHOTOCELL ELECTRONIC MIXER TAP WITH SWIVEL NOZZLE, BATTERY POWERED	ZEUS004
A3			WEIGHT
DATE	SCALE	 DESIGN AND TECHNOLOGICAL RESEARCH FOR WATER	1,79 Kg
10-03-2020	1:2		
DRAWN	PICCOLO M.		
VALIDATE	PICCOLO M.	VIA DELL'ARTIGIANO 8/F-8-G , 31050 MONASTIER di TREVISO (TV) tel: 0422 842157 - fax: 0422 708978	
DONE WITH DESIGN CAD - PROHIBITED THE CHANGES MANUAL			

POWER SUPPLY : Alkaline batteries (4x1,5V AA)