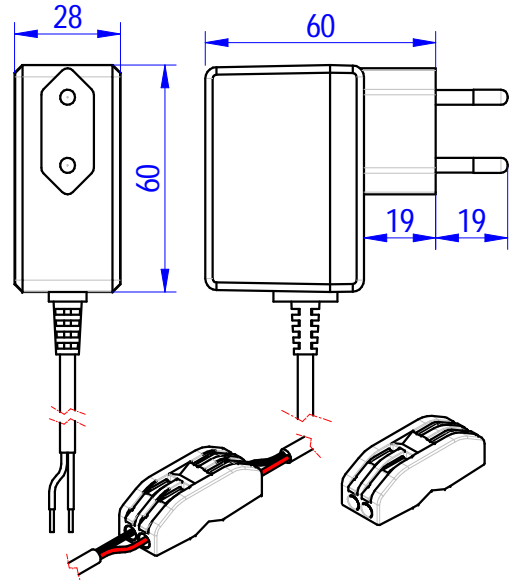
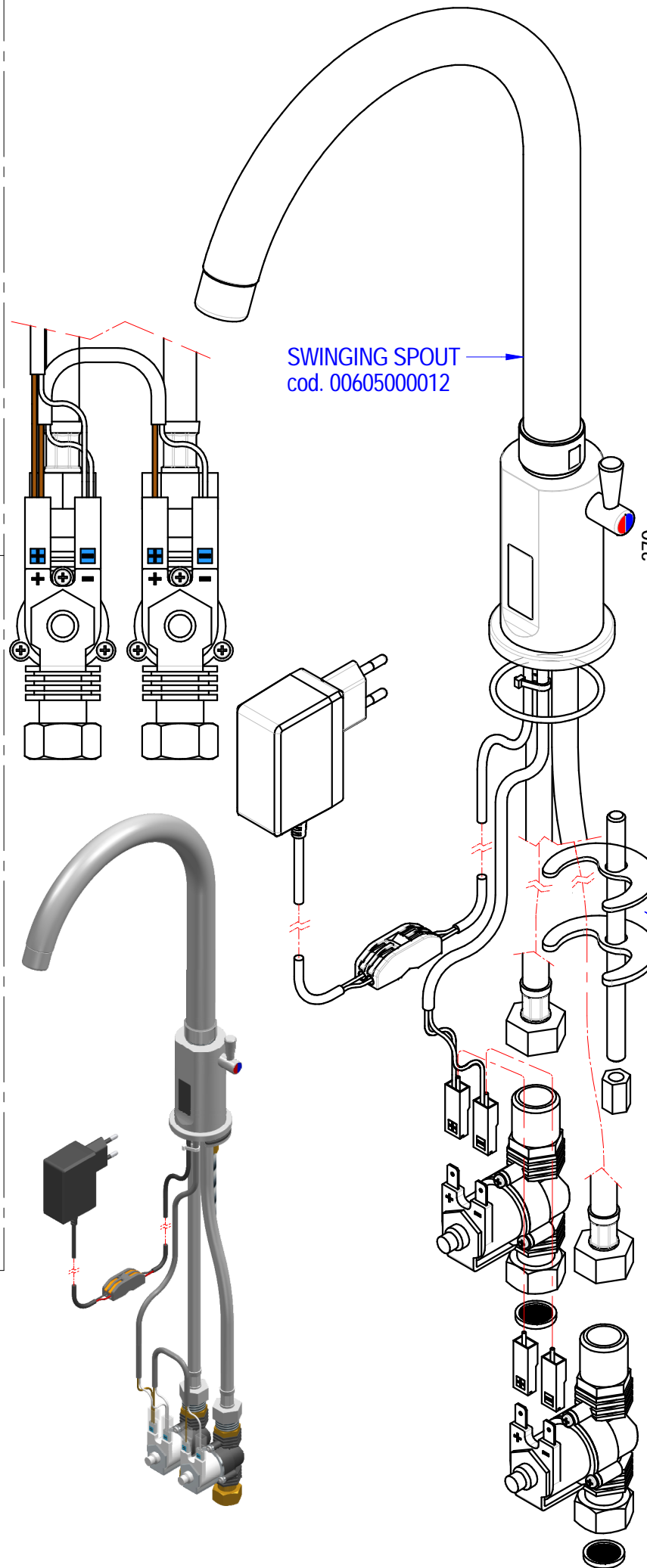


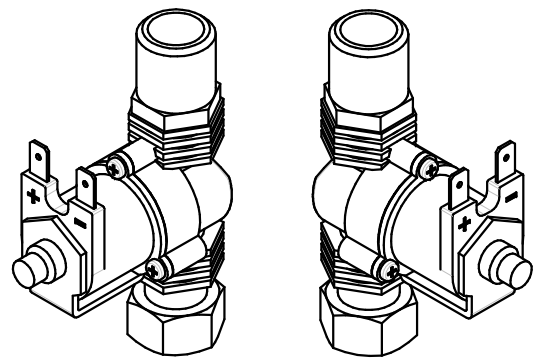
CONNECTION  
cod. 0040700027



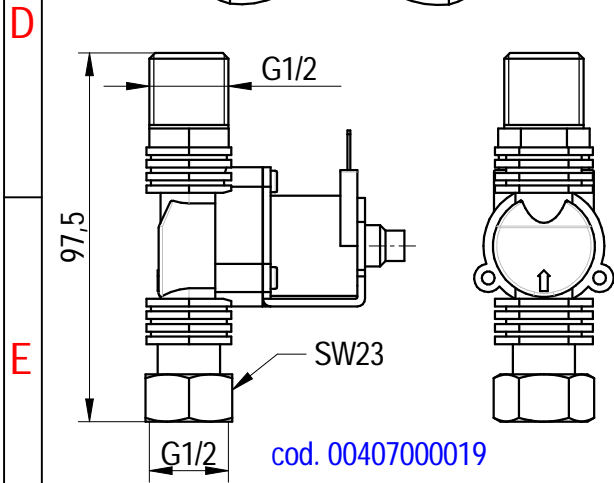
SWINGING SPOUT  
cod. 0060500012



SOLENOID VALVE



FIXING KIT  
cod. 0030600086



sink fixing hole :  $\varnothing 30$  mm

FLOW RATE : 8 L/min

Shares without tolerance according to standard UNI-EN-22768-1-m		DESCRIPTION	CODE
SIZE	 European Projection	PHOTOCELL ELECTRONIC MIXER TAP WITH SWIVEL NOZZLE, ELECTRICITY POWERED	ZEUS004/C
A3			WEIGHT
DATE	SCALE	1,86 Kg	
10-03-2020	1:2	 DESIGN AND TECHNOLOGICAL RESEARCH FOR WATER	
DRAWN	PICCOLO M.		
VALIDATE	PICCOLO M.		
VIA DELL'ARTIGIANO 8/F-8-G , 31050 MONASTIER di TREVISO (TV) tel: 0422 842157 - fax: 0422 708978			
DONE WITH DESIGN CAD - PROHIBITED THE CHANGES MANUAL			

CONNECTION : wall plug switching power supply  
INPUT : 100-240V,50-60Hz,0.25A