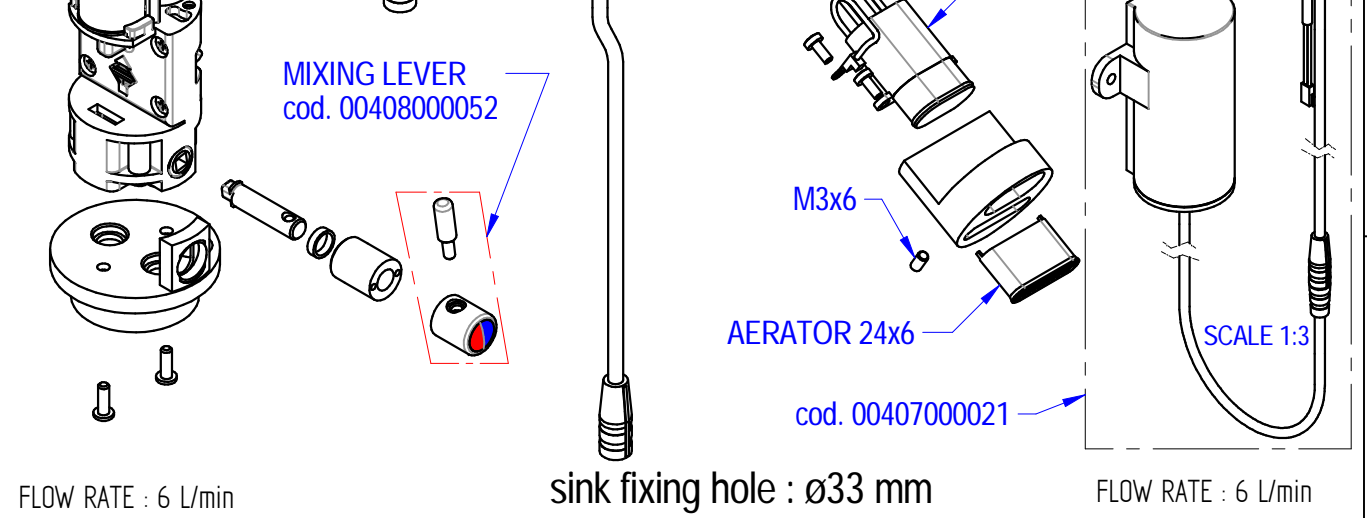
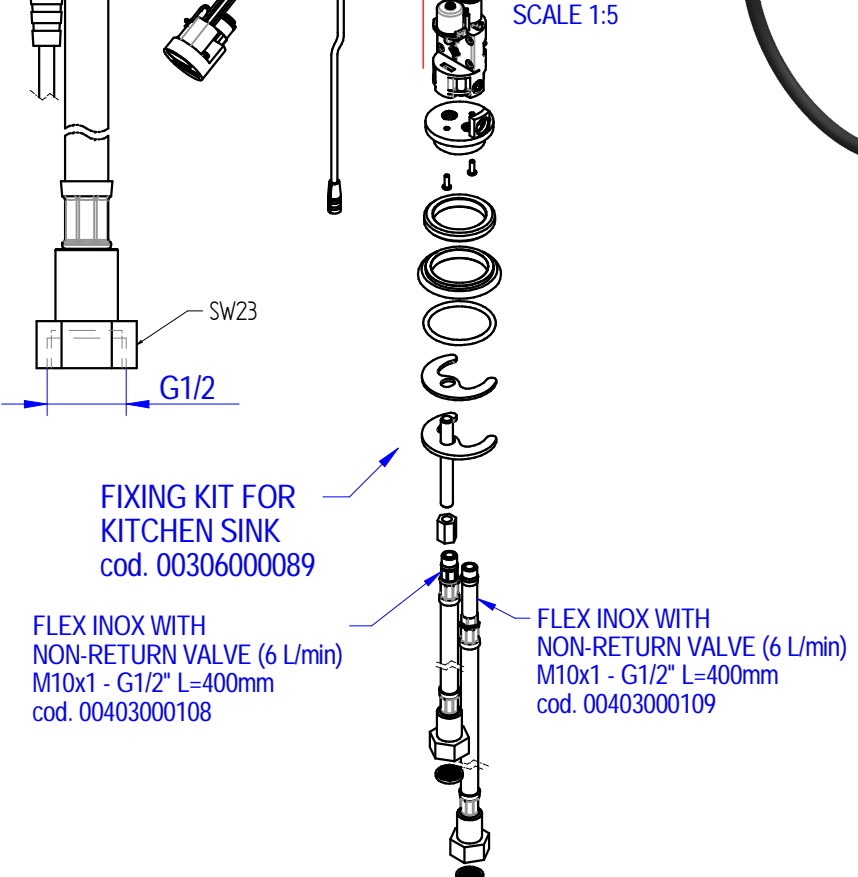
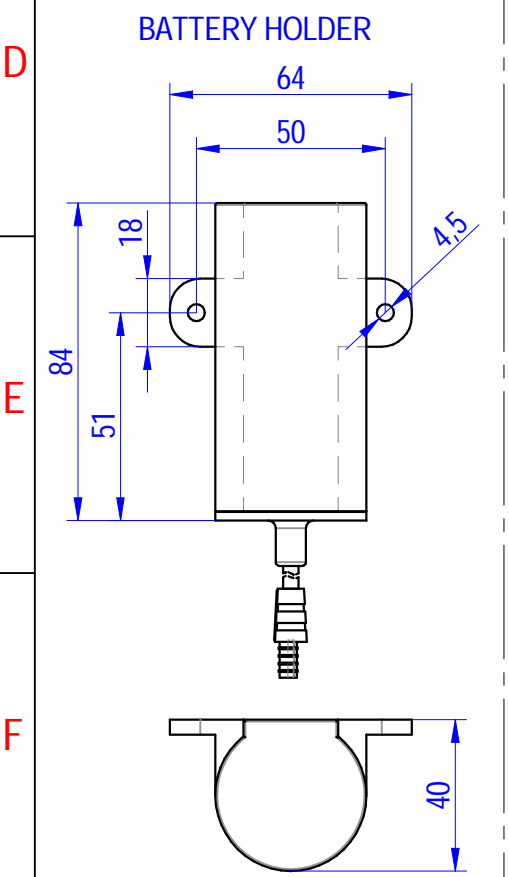


NOT SUPPLIED
POWER SUPPLY : Lithium batteries (4x1,5V AA)

00	---		PICCOLO M.	PICCOLO M.	
rev.		CHANGE DESCRIPTION	DATE	DRAWN	VALIDATE



Shares without tolerance according to standard UNI-EN-22768-1-m		DESCRIPTION	CODE
SIZE A3	European Projection	PREMIUM LINE INFRARED SENSOR ELECTRONIC BASIN MIXER,BATTERY-OPERATED	ZEUS002
DATE 30-11-2018	SCALE 12		WEIGHT 1,53 Kg
DRAWN PICCOLO M.	 DESIGN AND TECHNOLOGICAL RESEARCH FOR WATER		
VALIDATE PICCOLO M.			
VIA DELL'ARTIGIANO 8/F-8-G , 31050 MONASTIER di TREVISO (TV) tel: 0422 842157 - fax: 0422 708978			
DONE WITH DESIGN CAD - PROHIBITED THE CHANGES MANUAL			