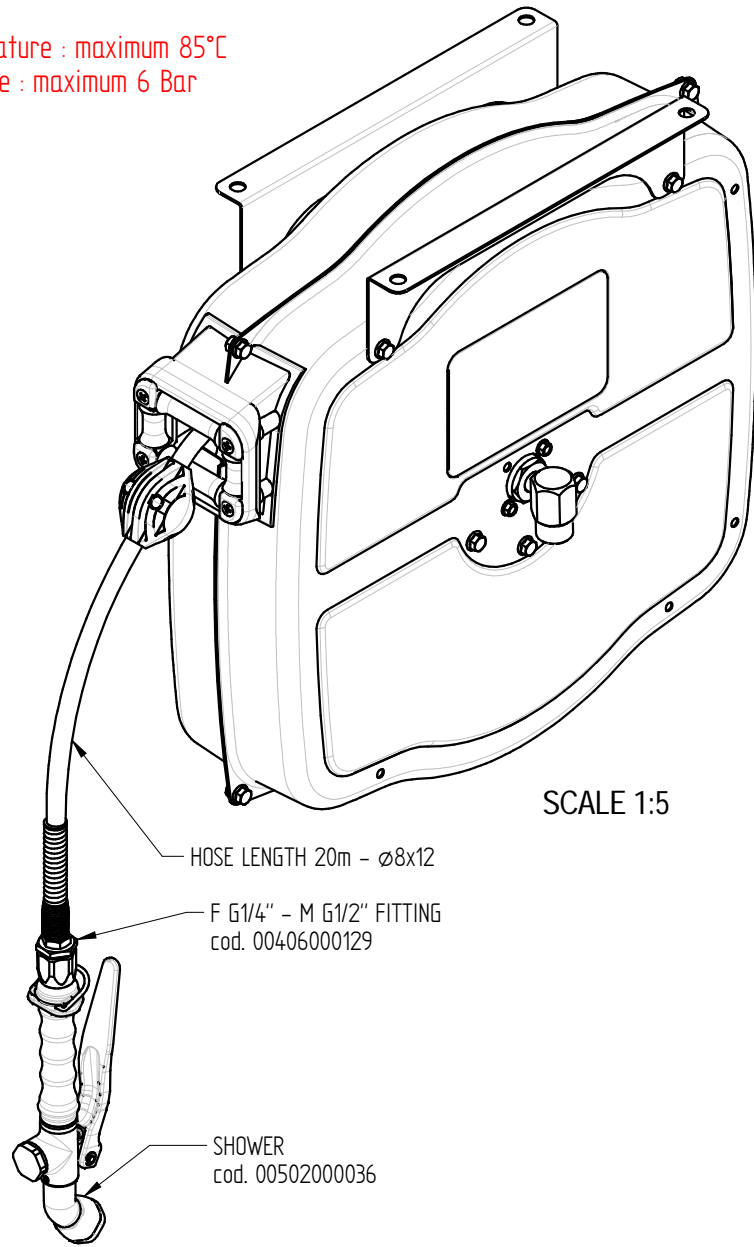


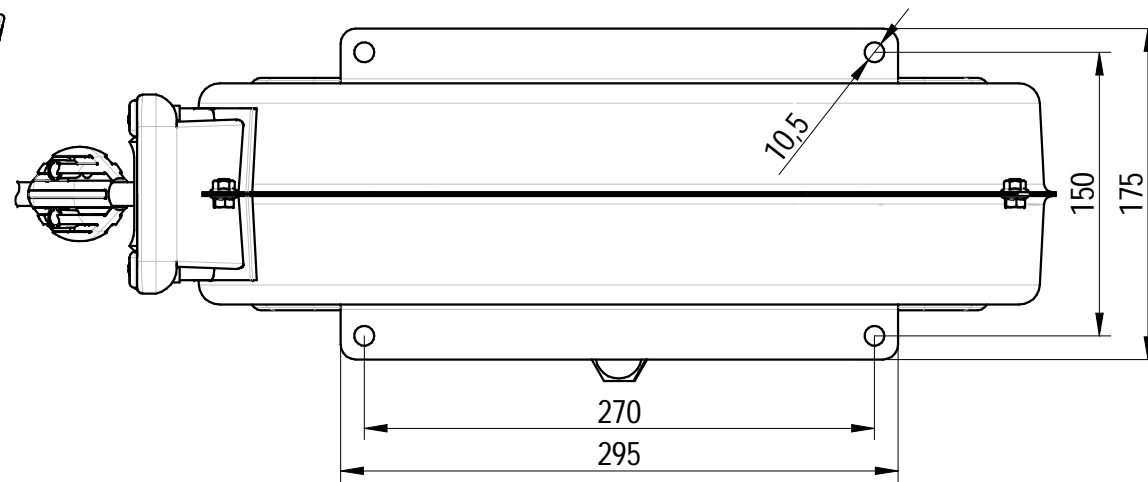
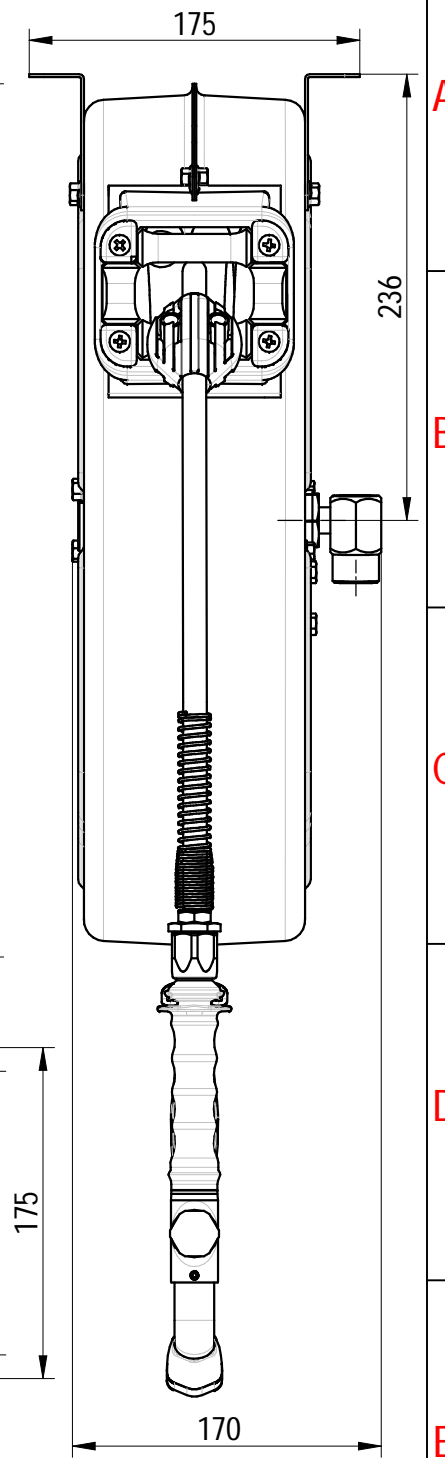
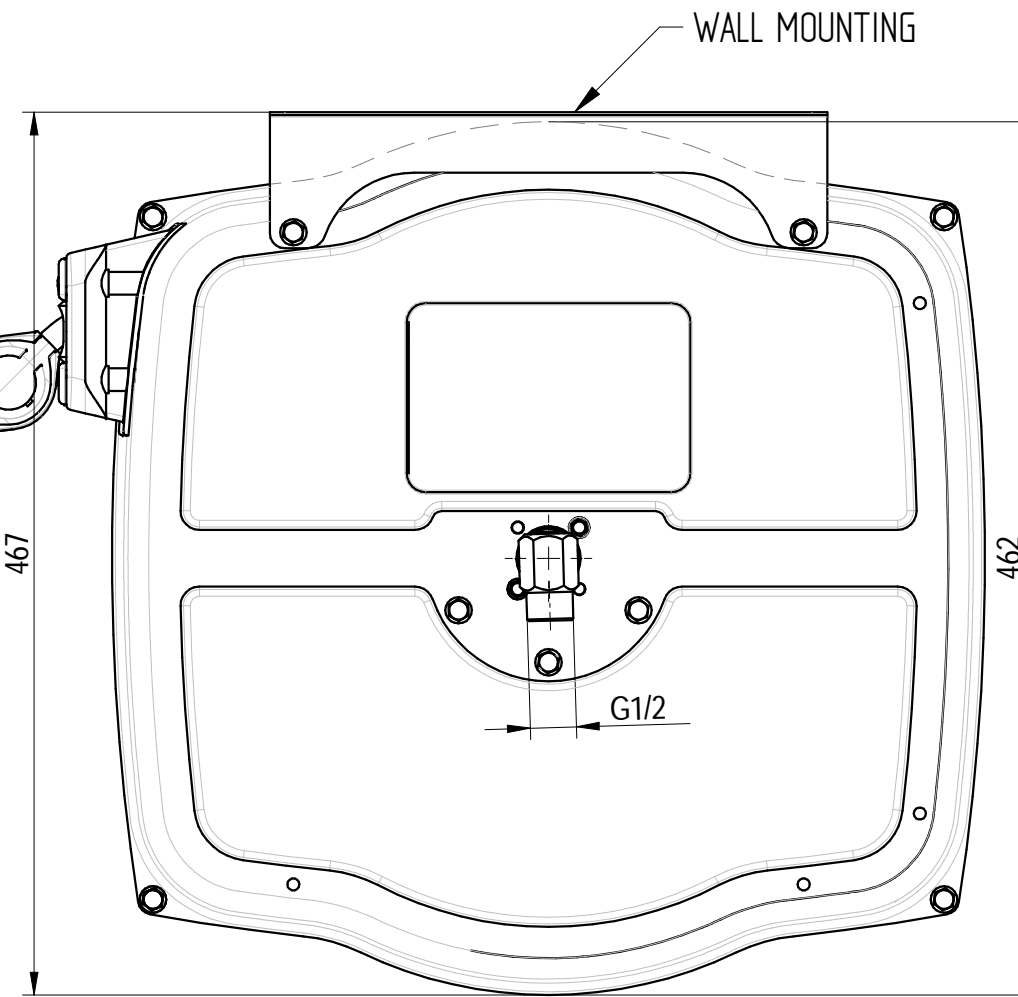
TECHNICAL SPECIFICATIONS HOSE REEL WITHOUT SHOWER :

Hose length in meters	20 m
Maximum Working pressure	maximum 20 bar Air - maximum 10 bar Water
Maximum Working temperature	maximum 25°C Air - maximum 70°C Water
Weight	15,1 Kg
Can be used to transfer	Air-Water

SHOWER :
Working temperature : maximum 85°C
Working pressure : maximum 6 Bar

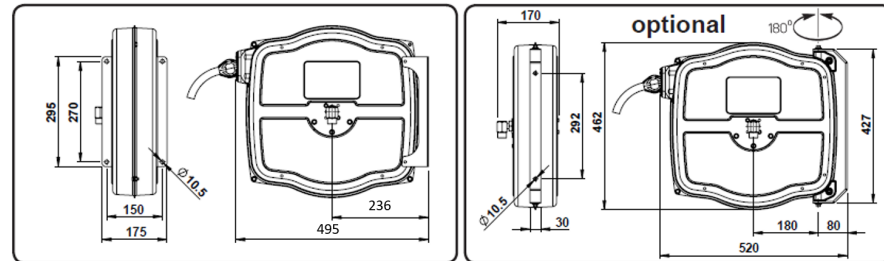


HOSE LENGTH 20m - ø8x12

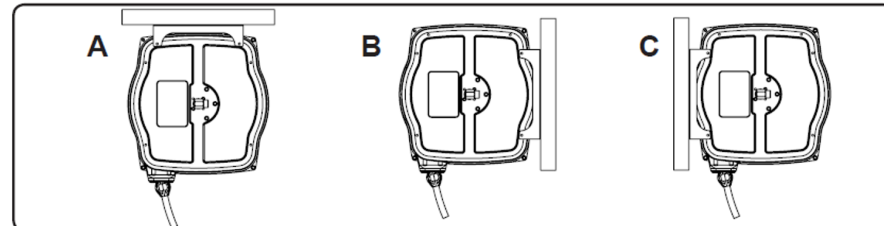


FLOW RATE : 6 L/min at 3,5 BAR

OPTIONAL SWIVEL BRACKET



FIXING ALTERNATIVES



Shares without tolerance according to standard UNI-EN-22768-1-m		DESCRIPTION	CODE
SIZE	European Projection	STAINLESS STEEL WALL MOUNTED COVERED HOSE REEL L=20m WITH FOOD QUALITY HOSE AND SHOWER	SR000000035A
A3			WEIGHT
DATE	SCALE		15,1 Kg
18-02-2022	14		
DRAWN		 DESIGN AND TECHNOLOGICAL RESEARCH FOR WATER	
PICCOLO M.			
VALIDATE		VIA DELL'ARTIGIANO 8/F-8-G , 31050 MONASTIER di TREVISO (TV) tel: 0422 842157 - fax: 0422 708978	
PICCOLO M.		DONE WITH DESIGN CAD - PROHIBITED THE CHANGES MANUAL	