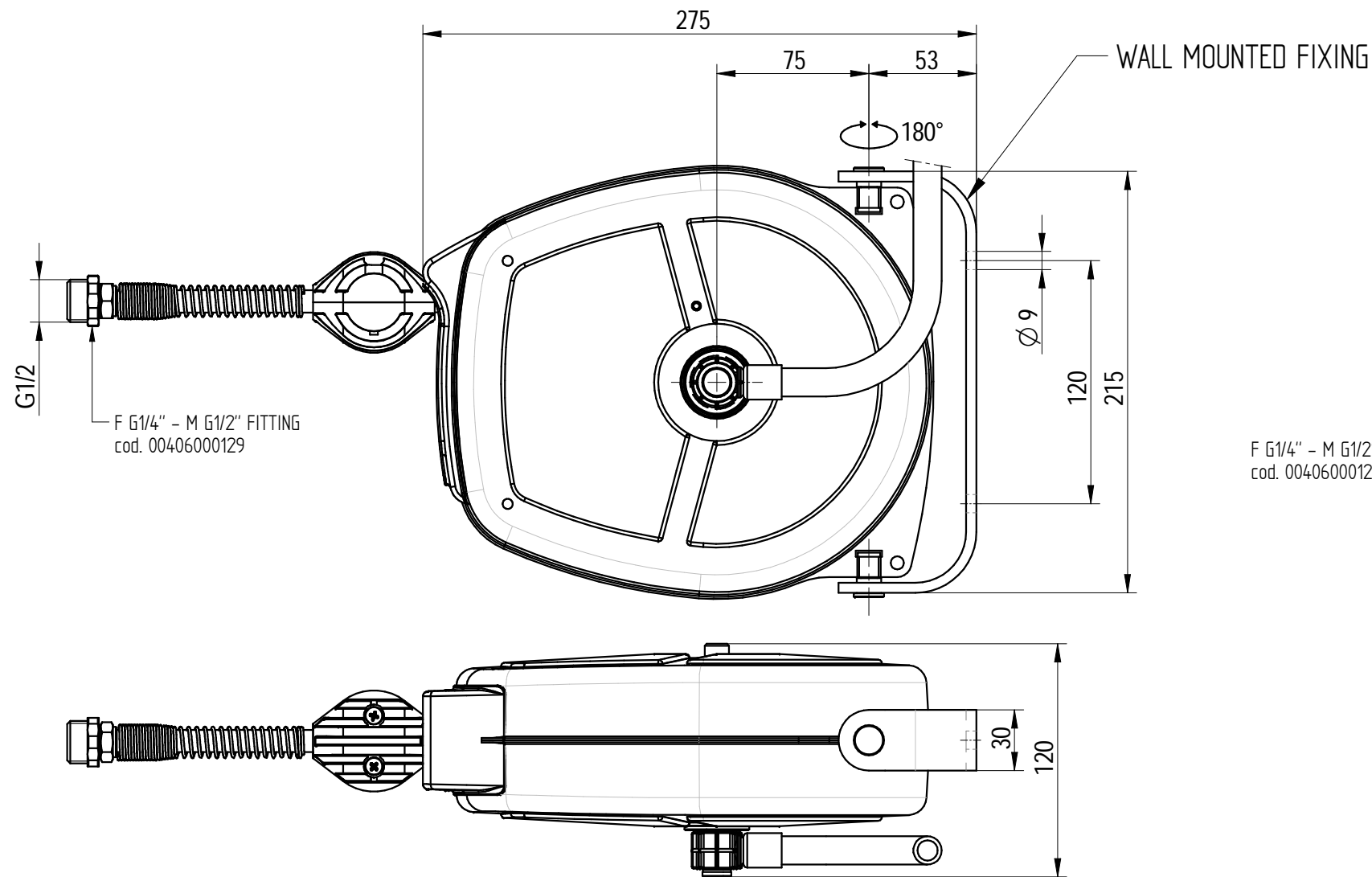


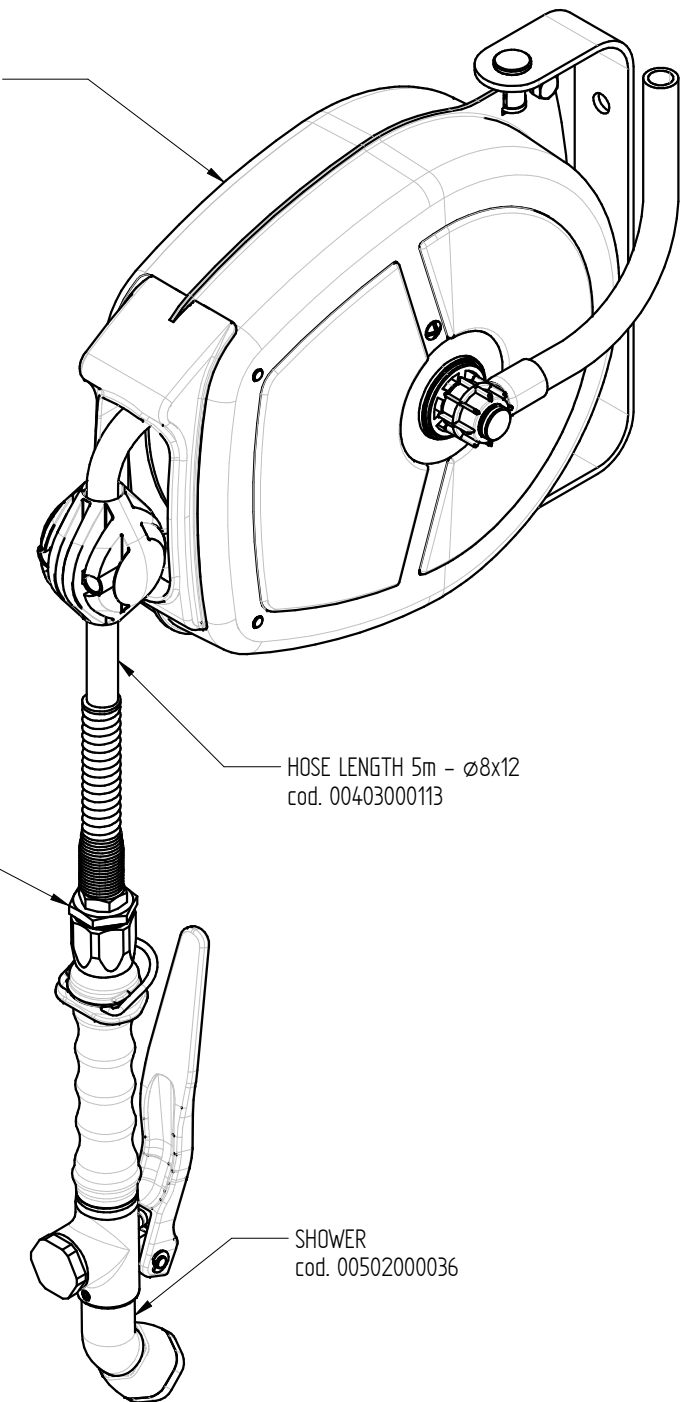
TECHNICAL SPECIFICATIONS HOSE REEL WITHOUT SHOWER :

Hose length in meters	5 m
Maximum Working pressure	maximum 20 bar Air - maximum 10 bar Water
Maximum Working temperature	maximum 25°C Air - maximum 70°C Water
Weight	2,7 Kg
Can be used to transfer	Air-Water

SHOWER :
 Working temperature : maximum 70°C
 Working pressure : maximum 6 Bar



AUTOMATIC HOSE REEL
 cod. 00803000055



FLOW RATE : 6 L/min at 3,5 BAR

Shares without tolerance according to standard UNI-EN-22768-1-m		DESCRIPTION	CODE
SIZE	European Projection	STAINLESS STEEL WALL MOUNTED COVERED HOSE REEL L=5m WITH FOOD QUALITY HOSE AND SHOWER	SR000000017A
A3			WEIGHT
DATE	SCALE		3,2 Kg
05-11-2018	13	 DESIGN AND TECHNOLOGICAL RESEARCH FOR WATER VIA DELL'ARTIGIANO 8/F-8-G , 31050 MONASTIER di TREVISO (TV) tel: 0422 842157 - fax: 0422 708978	
DRAWN			
PICCOLO M.			
VALIDATE		DONE WITH DESIGN CAD - PROHIBITED THE CHANGES MANUAL	
PICCOLO M.			