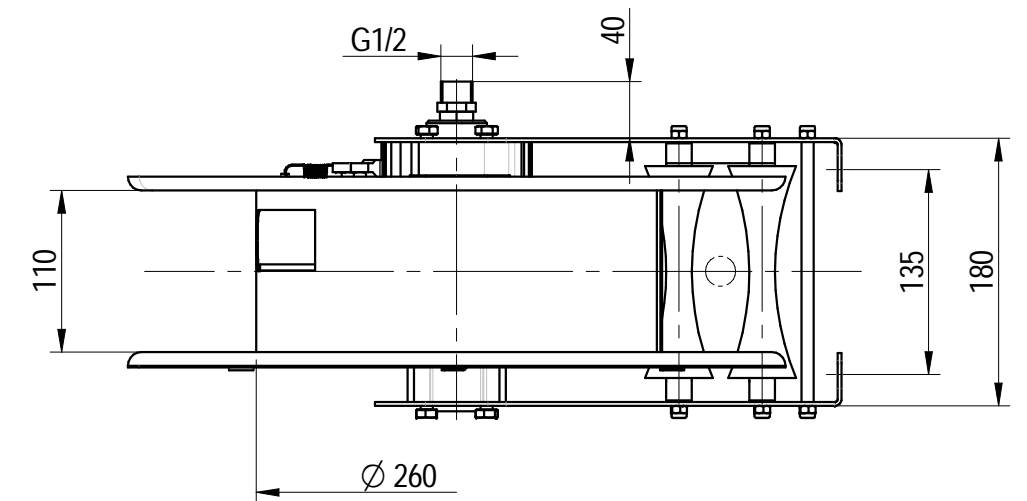
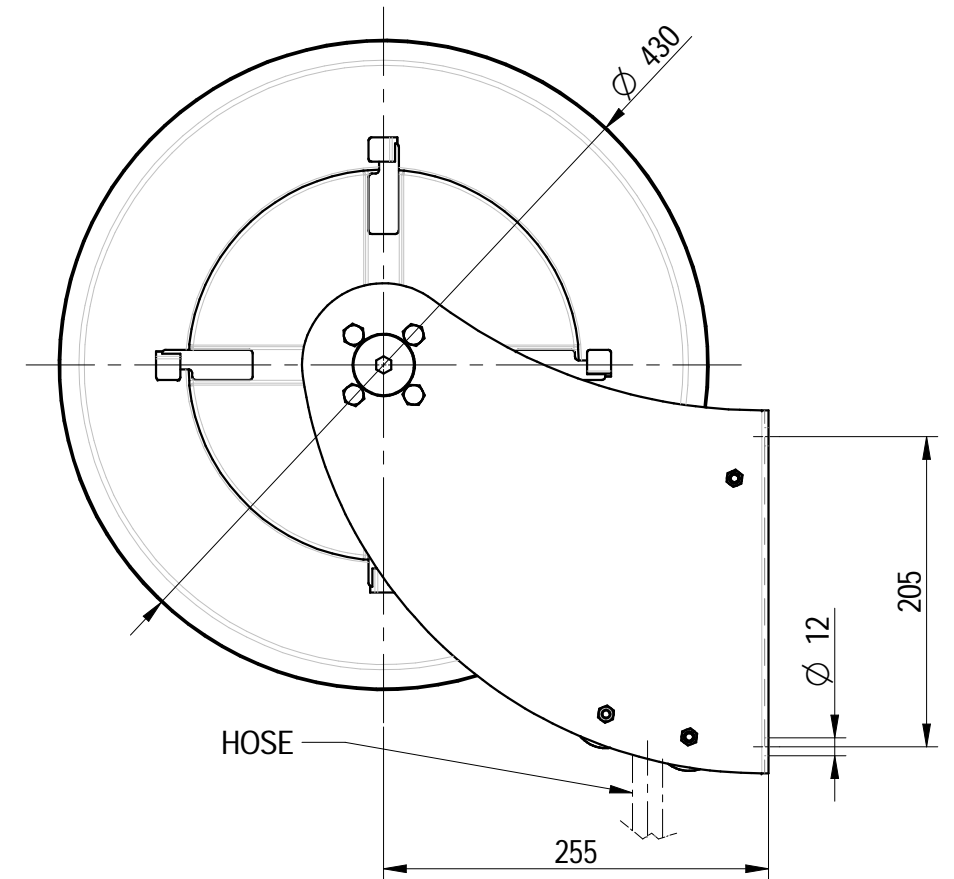


TECHNICAL SPECIFICATIONS HOSE REEL WITHOUT SHOWER :

|                                     |                    |
|-------------------------------------|--------------------|
| Admitted diameters                  | 1/4" - 3/8" - 1/2" |
| Hose length in meters               | 15 m               |
| Working pressure                    | maximum 20 bar     |
| Working temperature                 | maximum 80°C       |
| Inlet thread size                   | 1/2" M             |
| Outlet thread size                  | 1/2" F             |
| Weight                              | 17,6 Kg            |
| Raw material sides and roll         | Carbon steel       |
| Raw material shaft and swivel joint | Carbon steel       |
| Raw material main spring            | Carbon steel       |
| Can be to transfer                  | Air-Water          |

SHOWER :  
 Working temperature : maximum 80°C  
 Working pressure : maximum 6 Bar



FLOW RATE : 11 L/min at 3,5 BAR

|   |                         |  |  |
|---|-------------------------|--|--|
| Shares without tolerance according to standard UNI-EN-22768-1-m |                         | DESCRIPTION  | CODE   |
| SIZE  | <br>European Projection | POWDER COATED STEEL OPEN HOSE REEL<br>WALL MOUNTED L=15m WITH SHOWER | SR000000013A   |
| A3  |                         |  | WEIGHT   |
| DATE  | SCALE                   | <br>DESIGN AND TECHNOLOGICAL RESEARCH FOR WATER                      | VIA DELL'ARTIGIANO 8/F-8-G , 31050 MONASTIER di TREVISO (TV) tel: 0422 842157 - fax: 0422 708978 |
| 26-06-2018  | 15                      |  |  |
| DRAWN   | PICCOLO M.              |  |  |
| VALIDATE  | PICCOLO M.              | DONE WITH DESIGN CAD - PROHIBITED THE CHANGES MANUAL                 |  |