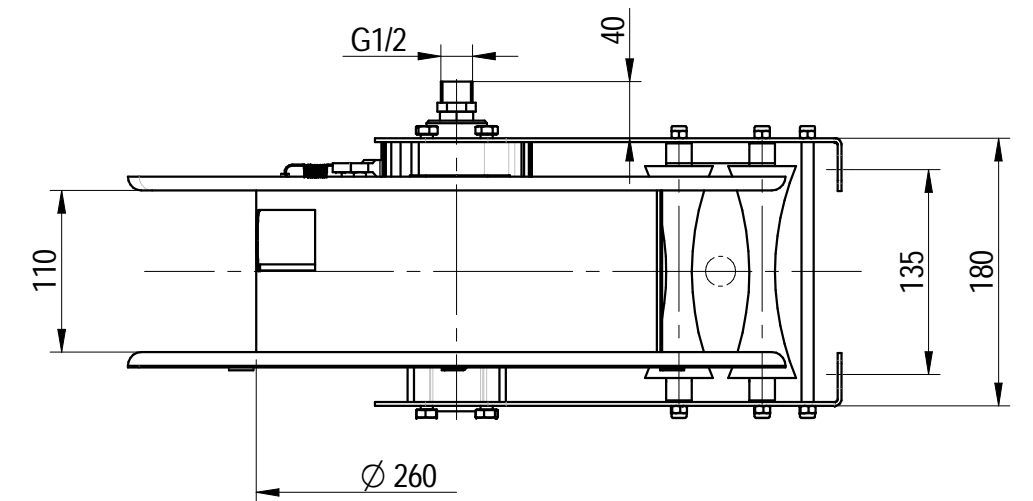
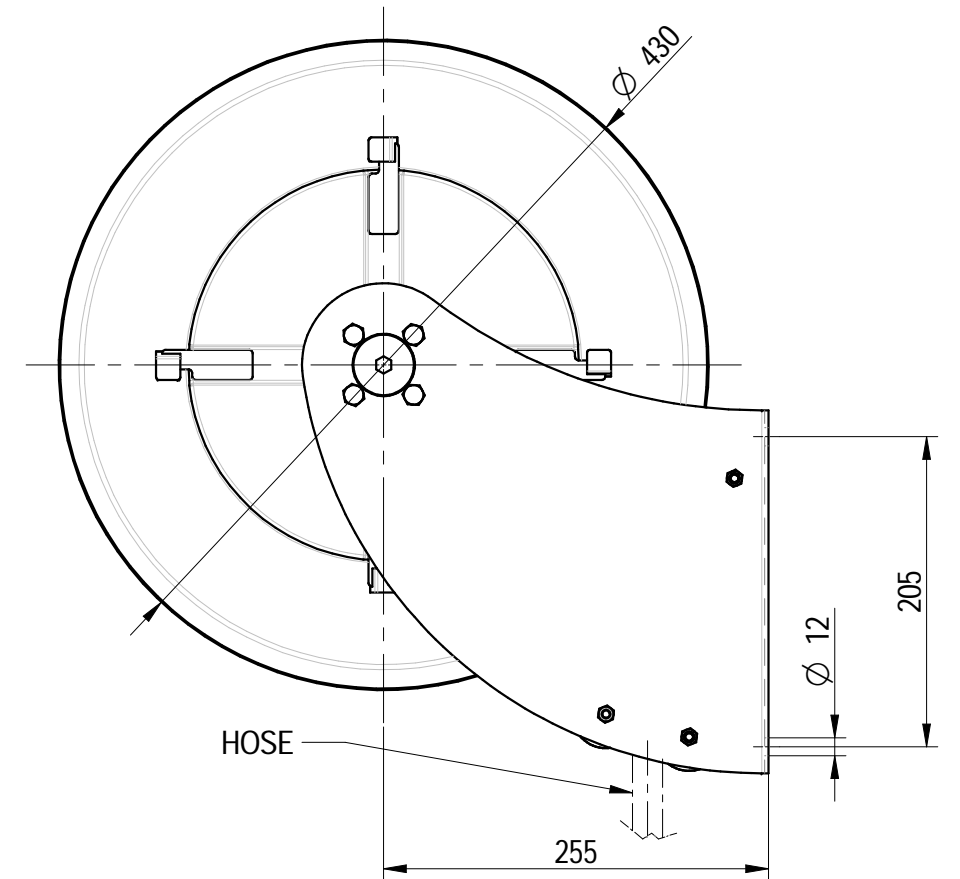




TECHNICAL SPECIFICATIONS HOSE REEL WITHOUT SHOWER :

Admitted diameters	1/4" - 3/8" - 1/2"
Hose length in meters	5 m
Working pressure	maximum 20 bar
Working temperature	maximum 80°C
Inlet thread size	1/2" M
Outlet thread size	1/2" F
Weight	14,7 Kg
Raw material sides and roll	Carbon steel
Raw material shaft and swivel joint	Carbon steel
Raw material main spring	Carbon steel
Can be used to transfer	Air-Water

SHOWER :
 Working temperature : maximum 80°C
 Working pressure : maximum 6 Bar



FLOW RATE : 11 L/min at 3,5 BAR

Shares without tolerance according to standard UNI-EN-22768-1-m		DESCRIPTION	CODE
SIZE	 European Projection	POWDER COATED STEEL OPEN HOSE REEL WALL MOUNTED L=5m WITH SHOWER	SR000000011A
DATE	SCALE		WEIGHT
05-11-2018	15		15,2 Kg
DRAWN		 <p>DESIGN AND TECHNOLOGICAL RESEARCH FOR WATER</p> <p>VIA DELL'ARTIGIANO 8/F-8-G , 31050 MONASTIER di TREVISO (TV) tel: 0422 842157 - fax: 0422 708978</p>	
VALIDATE			
PICCOLO M.		DONE WITH DESIGN CAD - PROHIBITED THE CHANGES MANUAL	
PICCOLO M.			