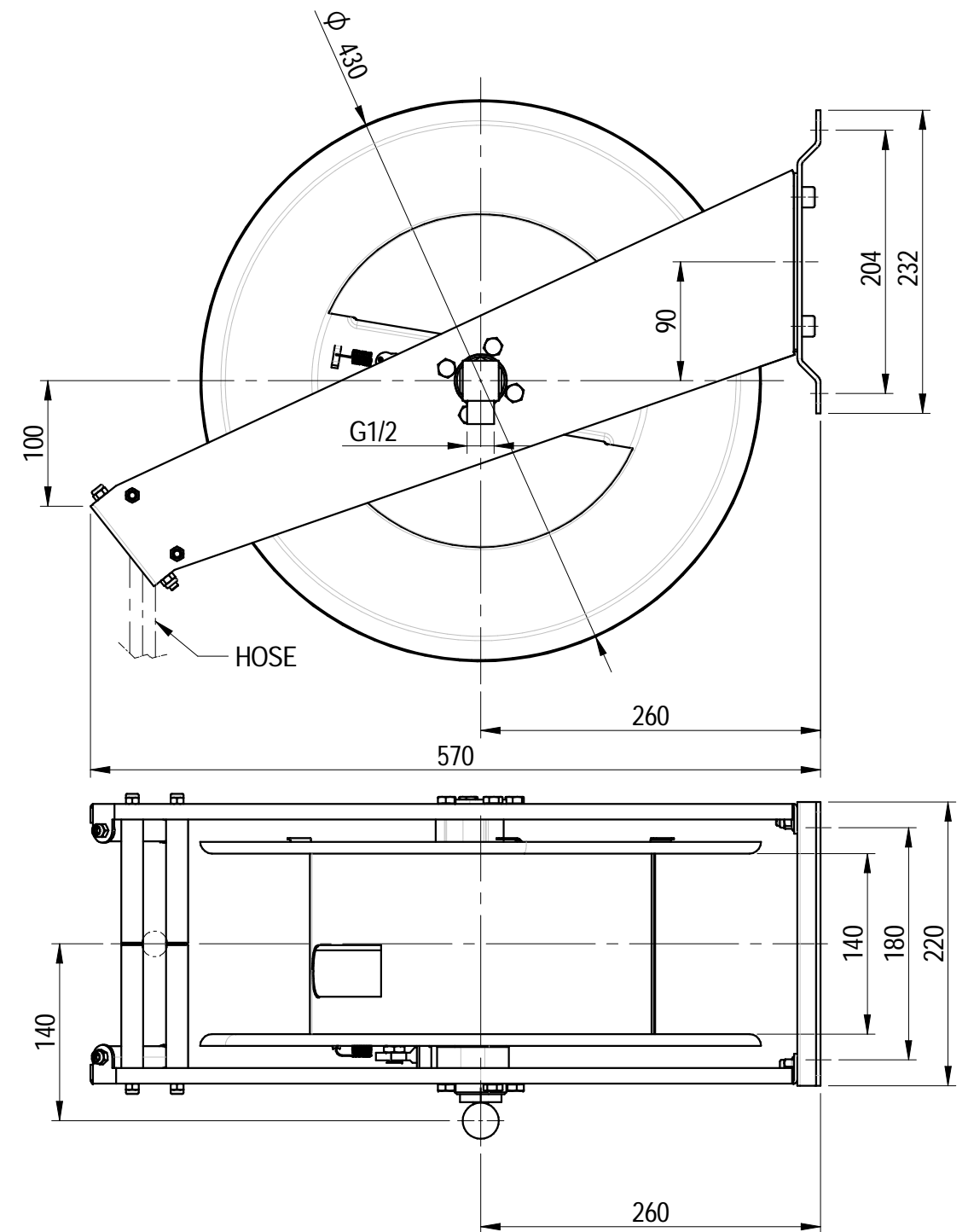
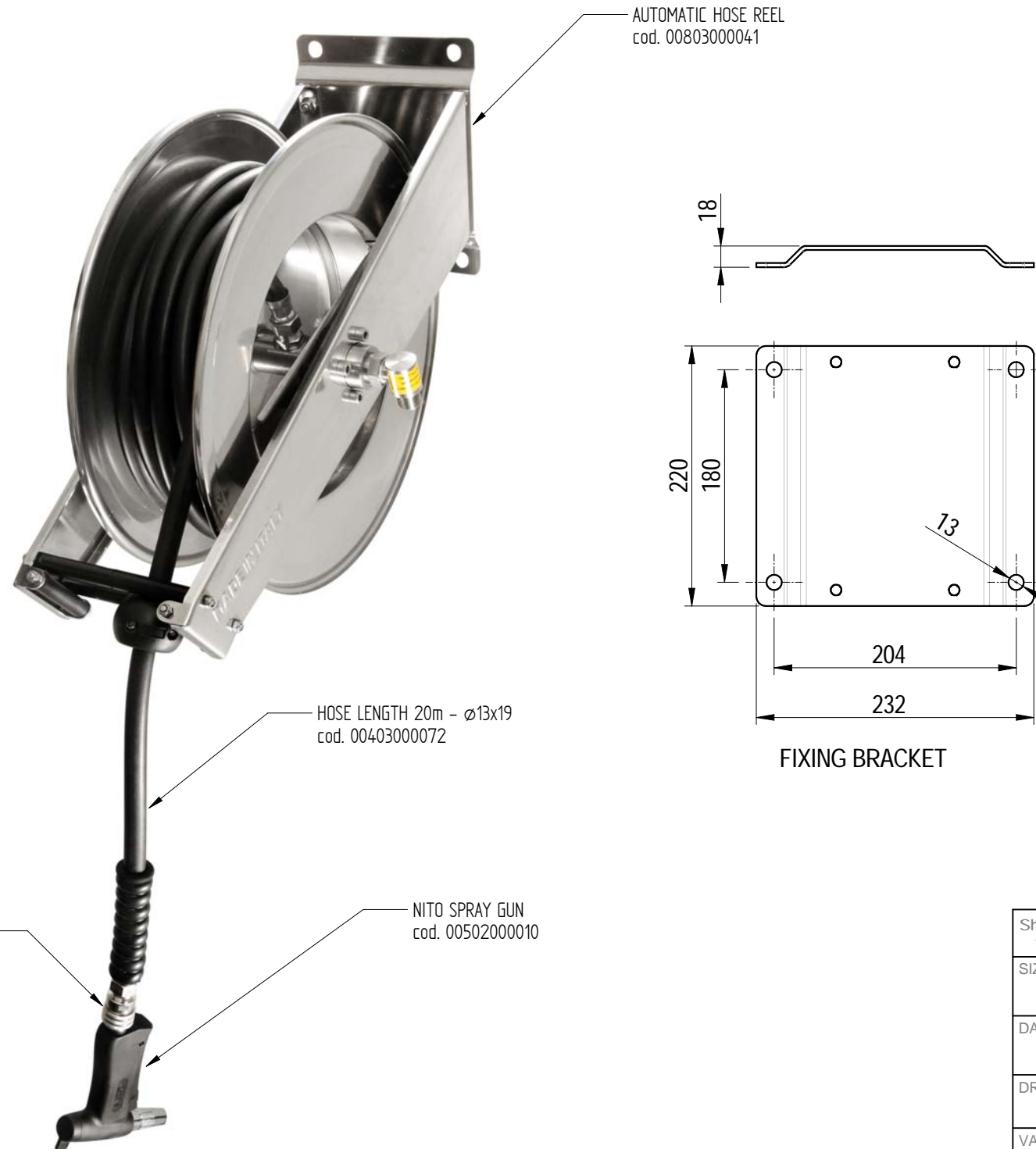


TECHNICAL SPECIFICATIONS HOSE REEL WITHOUT NITO SPRAY GUN :

Admitted diameters	1/4" - 3/8" - 1/2"
Hose length in meters	20 m
Working pressure	maximum 20 bar
Working temperature	maximum 80°C
Inlet thread size	1/2" M
Outlet thread size	1/2" F
Weight	23,6 Kg
Raw material sides and roll	AISI 304
Raw material shaft and swivel joint	AISI 303
Raw material main spring	Carbon steel
Can be to transfer	Air-Water-Chemical

NITO SPRAY GUN :  
 Working temperature : maximum 40°C  
 Working pressure : maximum 6 Bar

QUICK RELEASE COUPLER 1/2" :  
 Working temperature : maximum 80°C  
 Working pressure : maximum 10 Bar



FLOW RATE : 8 L/min at 3,5 BAR

Shares without tolerance according to standard UNI-EN-22768-1-m		DESCRIPTION	CODE
SIZE	 European Projection	STAINLESS STEEL WALL MOUNTED HOSE REEL L=20m + NITO SPRAY GUN	SR000000009A
A3			WEIGHT
DATE	SCALE	23,9 Kg	
28-06-2018	15	 DESIGN AND TECHNOLOGICAL RESEARCH FOR WATER	
DRAWN			
PICCOLO M.			
VALIDATE		VIA DELL'ARTIGIANO 8/F-8-G , 31050 MONASTIER di TREVISO (TV) tel: 0422 842157 - fax: 0422 708978	
PICCOLO M.		DONE WITH DESIGN CAD - PROHIBITED THE CHANGES MANUAL	