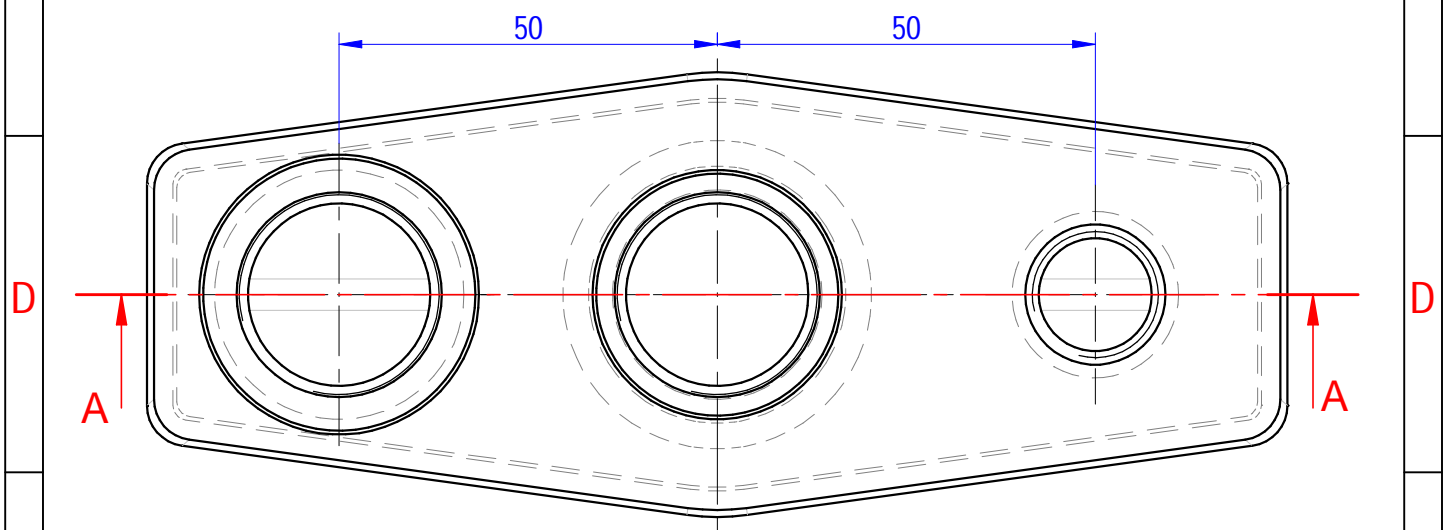


SECTION A-A

Threaded chamfer: 1,5x45°



FINISH : CHROMED
 MATERIAL : BRASS OT-A CB753S
 PROCESSING : CASTING

Shares without tolerance according to standard UNI-EN-22768-1-m

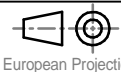
DESCRIPTION

CODE

S0103000005

SIZE

A4



European Projection

WEIGHT

0,83 Kg

DATE

04-03-2021

SCALE

1:1

DRAWN

PICCOLO M.

VALIDATE

PICCOLO M.

3/4" PRESSURE CHAMBER
 FOR STEAM SECURITY GROUP



VIA DELL'ARTIGIANO 8/F-8-G , 31050 MONASTIER di TREVISO (TV) tel: 0422 842157 - fax: 0422 708978

DONE WITH DESIGN CAD - PROHIBITED THE CHANGES MANUAL