

1

2

3

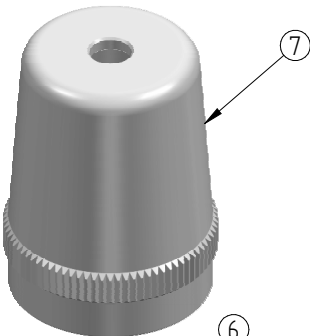
4



NOTE : GLUE THE FERRULE AND THE NUT TO AVOID IT UNSCREW

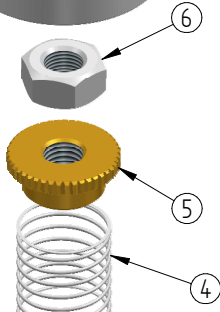
A

A

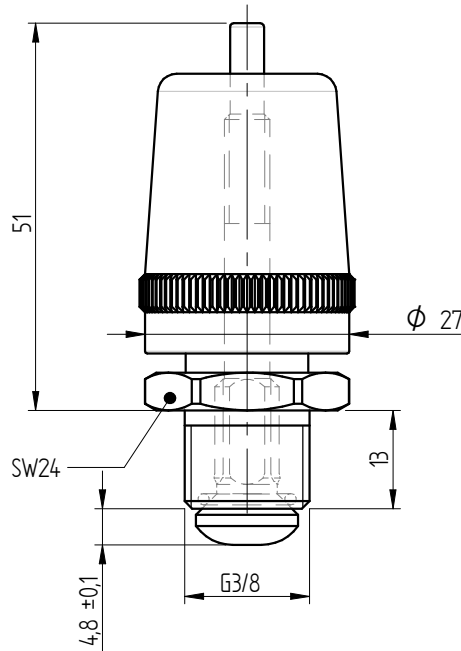


B

B

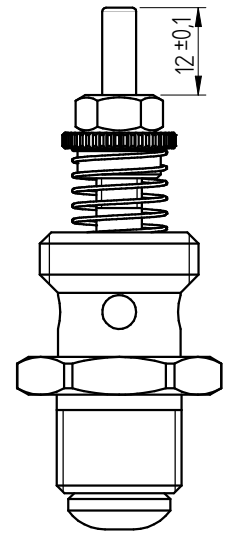
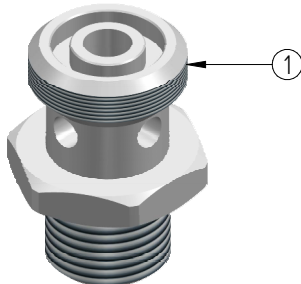


NORMALLY CLOSED



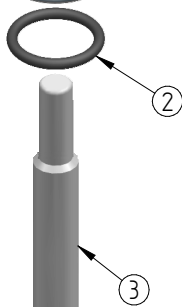
C

C



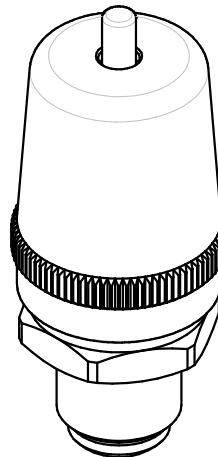
D

D



E

E



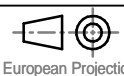
Shares without tolerance according to standard UNI-EN-22768-1-m

DESCRIPTION

CODE

SIZE

A4



European Projection

3/8" PRESSURE RELIEF VALVE - 0,02 BAR
NORMALLY CLOSED

R0701030407

WEIGHT

0,16 Kg

DATE

05/03/2020

SCALE

1:1

DRAWN

PICCOLO M.

VALIDATE

PICCOLO M.

MONOLITH
 DESIGN AND TECHNOLOGICAL RESEARCH FOR WATER

VIA DELL'ARTIGIANO 8/F-8-G, 31050 MONASTIER di TREVISO (TV) tel: 0422 842157 - fax: 0422 708978

DONE WITH DESIGN CAD - PROHIBITED THE CHANGES MANUAL

1

2

3

4