

1 2 3 4 5 6 7 8

A

B

C

D

E

F

A

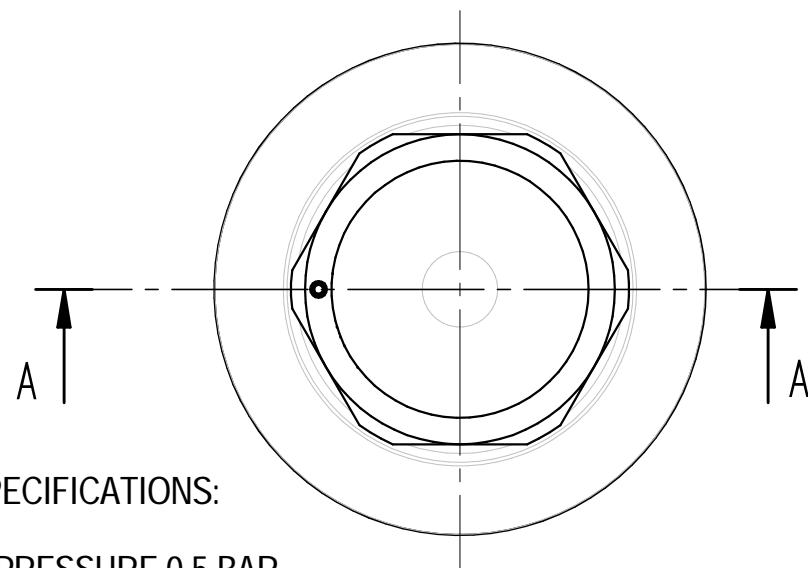
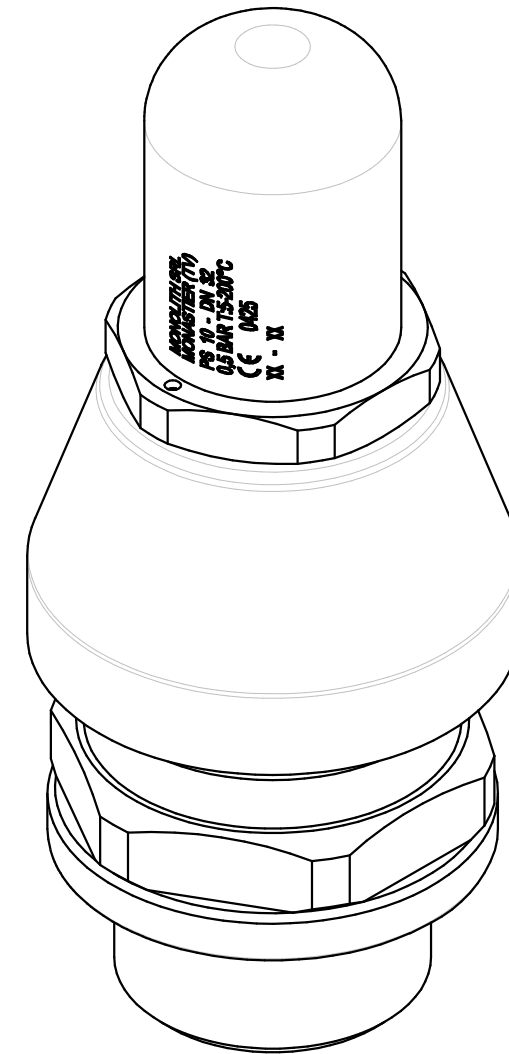
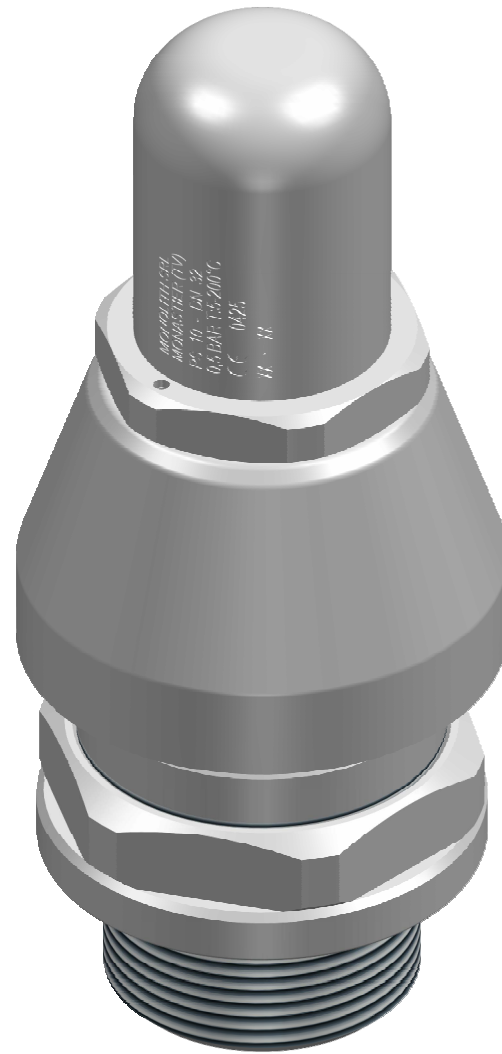
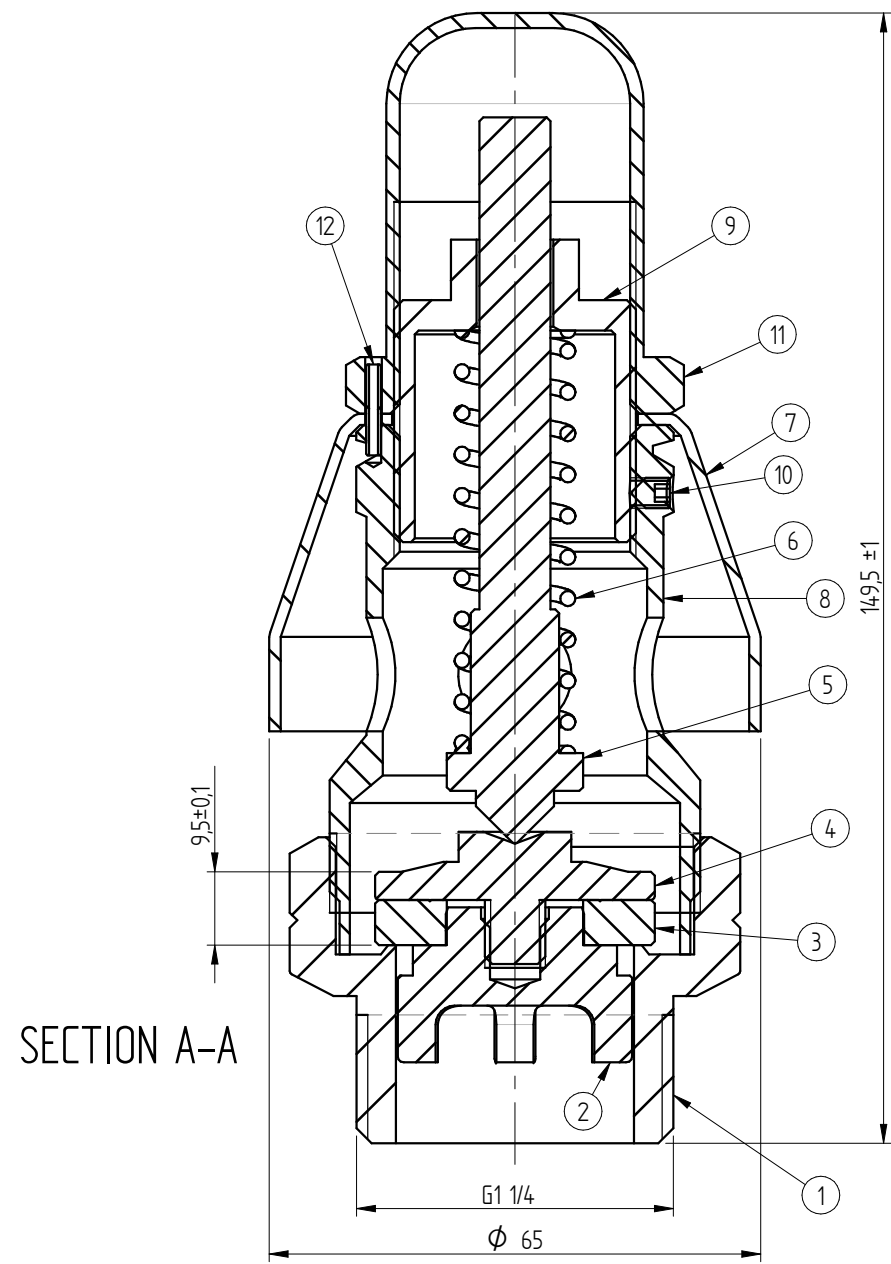
B

C

D

E

F



TECHNICAL SPECIFICATIONS:  
PS 10 - DN 32  
ADJUSTMENT PRESSURE 0,5 BAR

Shares without tolerance according to standard UNI-EN-22768-1-m		DESCRIPTION  1" 1/4" SECURITY VALVE PED CERTIFIED 2014/68/EU	CODE R0701030302
RIDGE:			DRAWN No. RC0252
SIZE A3	European Projection		WEIGHT 0,94 Kg
DATE 09-02-2011	1:1	 DESIGN AND TECHNOLOGICAL RESEARCH FOR WATER VIA DELL'ARTIGIANO 8/F-8-G , 31050 MONASTIER di TREVISO (TV) tel: 0422 842157 - fax: 0422 708978	
DRAWN PICCOLO M.			
VALIDATE PICCOLO M.			
DONE WITH DESIGN CAD - PROHIBITED THE CHANGES MANUAL			

1 2 3 4 5 6 7 8