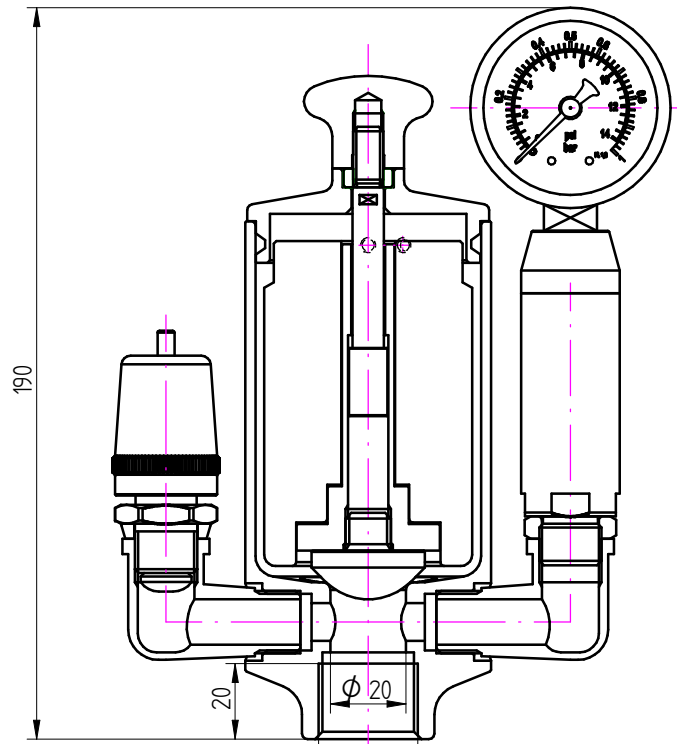


TECHNICAL SPECIFICATIONS:

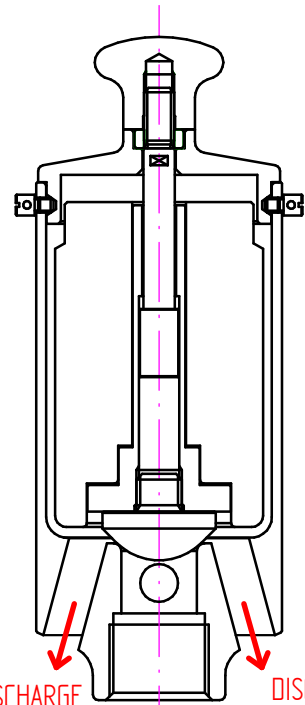
Calibration Pressure : 0,45 bar

Operating Temperature: -20°C / +180°C

Overpressure : ±10% calibration pressure

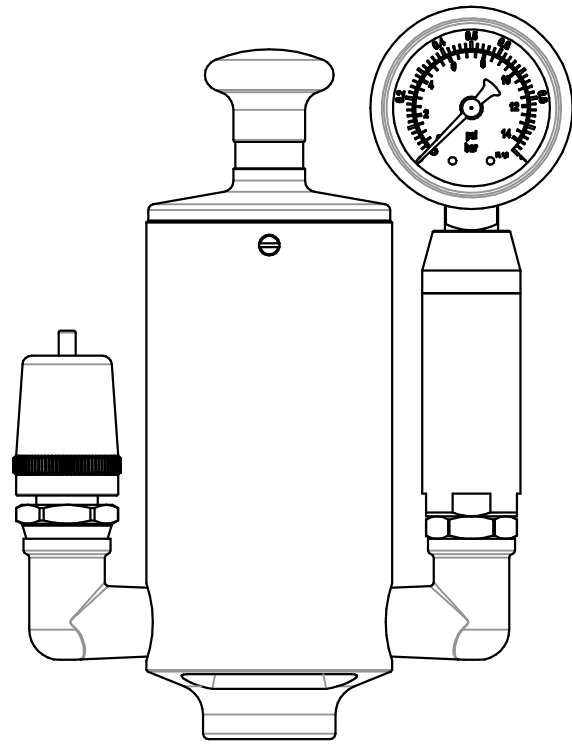


SECTION B-B

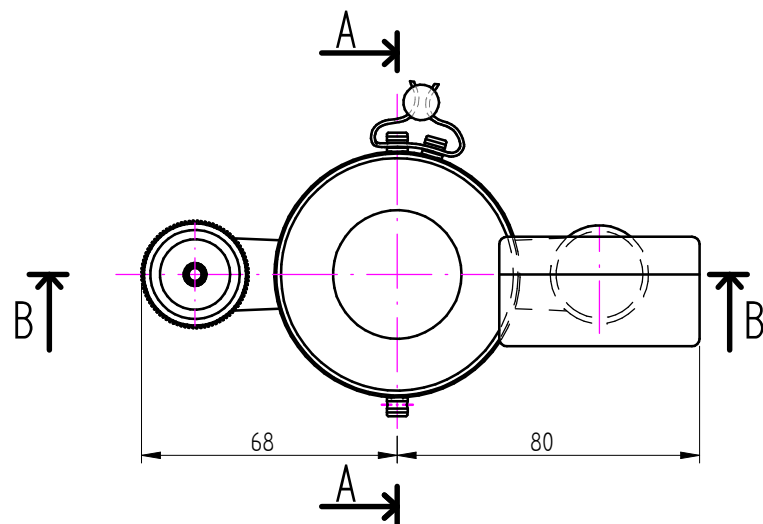
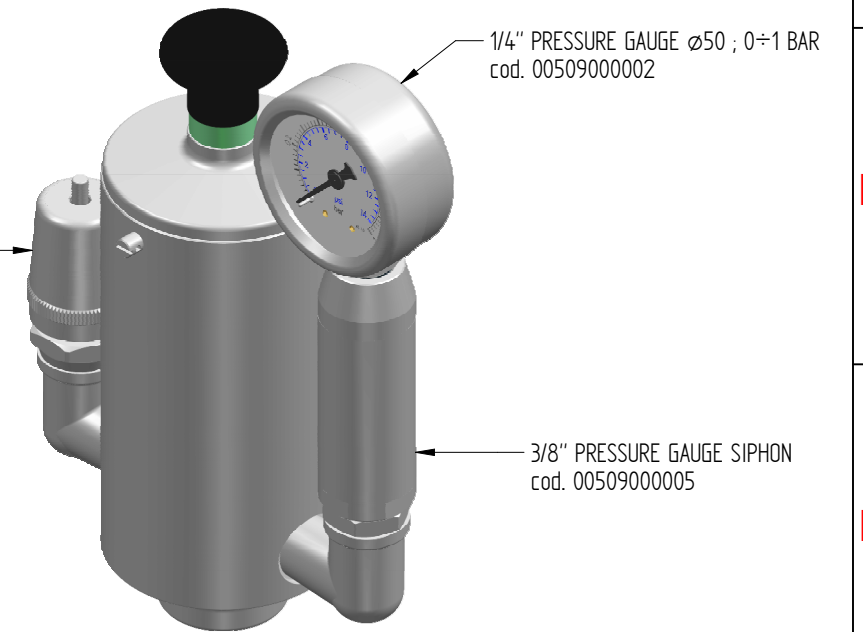
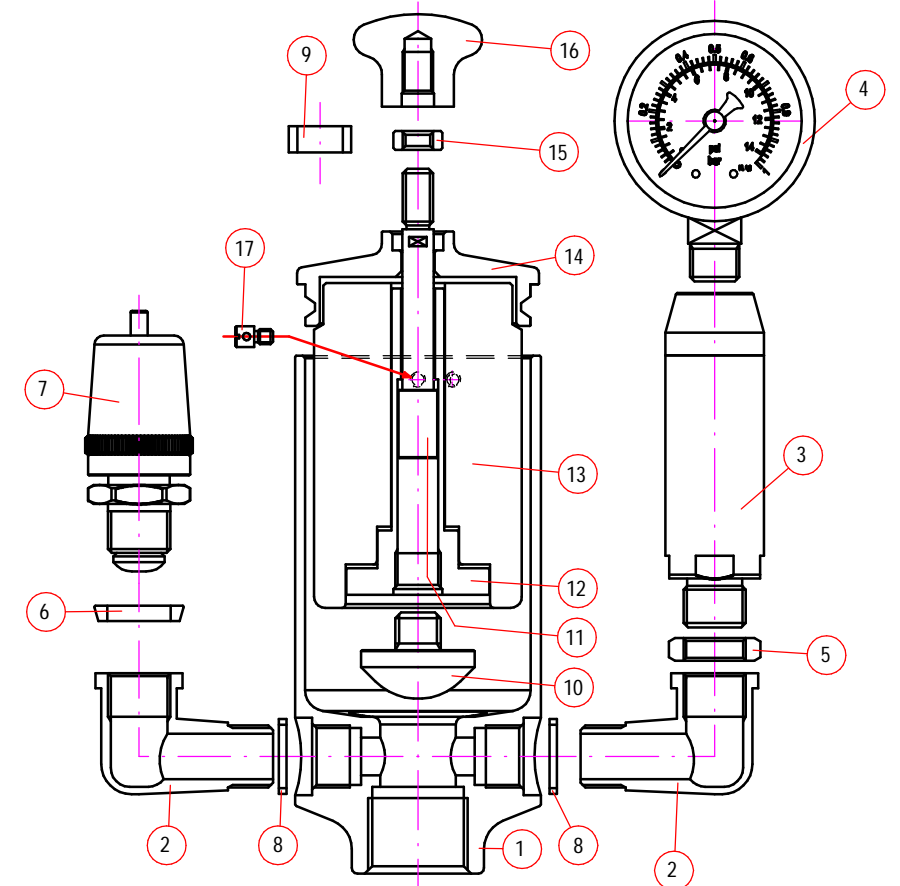
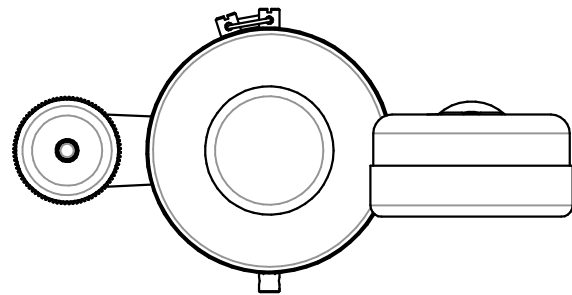


DISCHARGE DISCHARGE

SECTION A-A



3/8" PRESSURE RELIEF VALVE - 0,02 Bar
NORMALLY CLOSED
cod. R0701030407



Shares without tolerance according to standard UNI-EN-22768-1-m		DESCRIPTION	CODE
SIZE	European Projection	3/4" COMPLETE STEAM SECURITY GROUP WITH WEIGHT OPENING SYSTEM AND ACCESSORIES. VALVE OPENING 0,45 Bar	R0104000008
A3			WEIGHT
DATE	SCALE		3,28 Kg
30-06-2020	12		
DRAWN		 <p>DESIGN AND TECHNOLOGICAL RESEARCH FOR WATER</p>	
PICCOLO M.			
VALIDATE			
PICCOLO M.		VIA DELL'ARTIGIANO 8/F-8-G , 31050 MONASTIER di TREVISO (TV) tel: 0422 842157 - fax: 0422 708978	
DONE WITH DESIGN CAD - PROHIBITED THE CHANGES MANUAL			