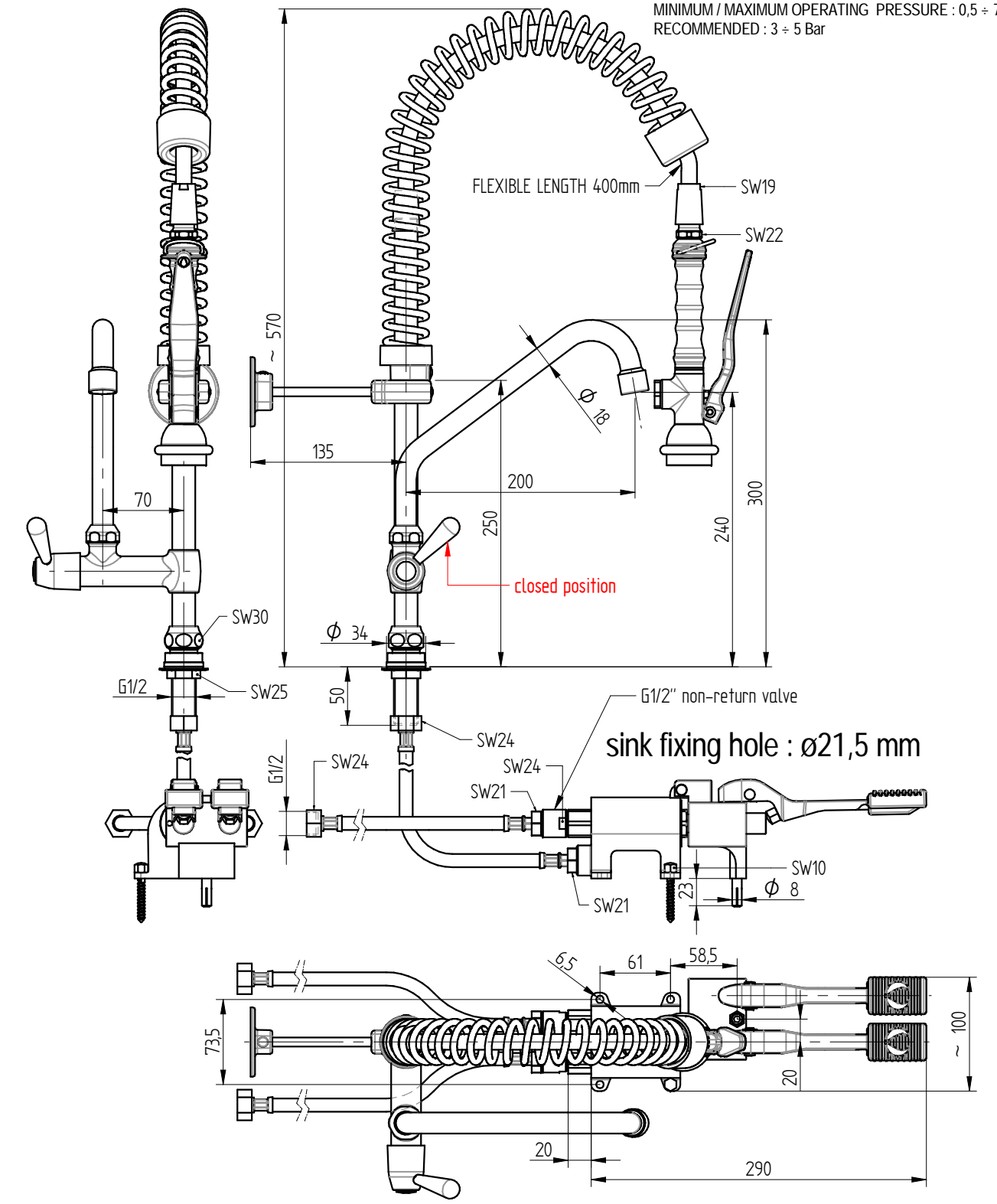
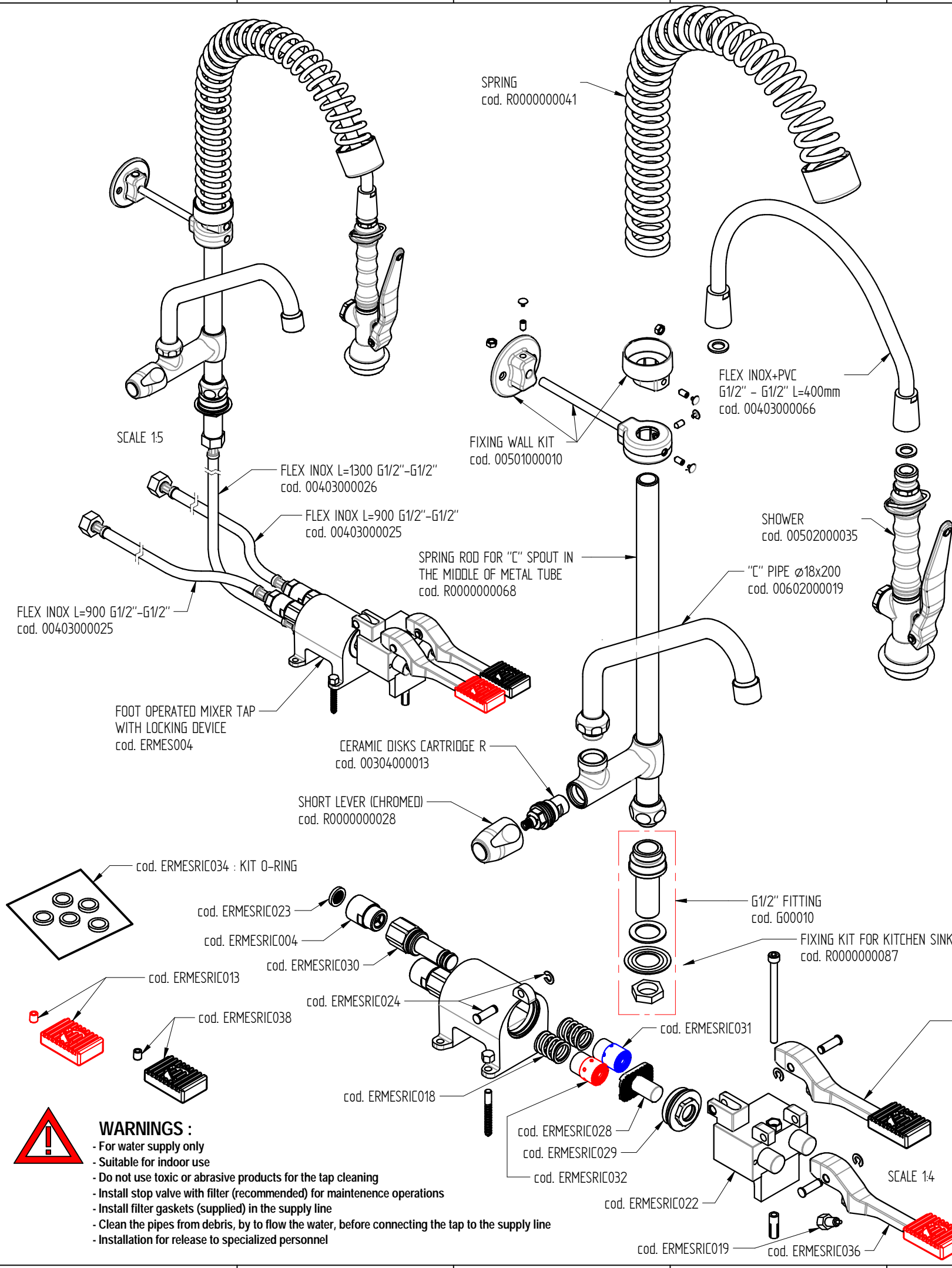


TECHNICAL SPECIFICATIONS:
 MINIMUM / MAXIMUM OPERATING TEMPERATURE : 5 ÷ 70°C
 MINIMUM / MAXIMUM OPERATING PRESSURE : 0,5 ÷ 7 Bar
 RECOMMENDED : 3 ÷ 5 Bar



FLOW RATE : 12 L/min at 3,5 BAR only from the shower
 14 L/min at 3,5 Bar only from the spout
 18 L/min at 3,5 BAR when both + spout are open

- WARNINGS :**
- For water supply only
 - Suitable for indoor use
 - Do not use toxic or abrasive products for the tap cleaning
 - Install stop valve with filter (recommended) for maintenance operations
 - Install filter gaskets (supplied) in the supply line
 - Clean the pipes from debris, by to flow the water, before connecting the tap to the supply line
 - Installation for release to specialized personnel

Shares without tolerance according to standard UNI-EN-22768-1-m		DESCRIPTION	CODE
SIZE	A3	KIT FOOT OPERATED PROGRESSIVE MIXER WITH LOCKING DEVICE AND PRE-RINSE UNIT WITH SWINGING "C" SPOUT ø18x200, LEVER HANDLE, MINI VERSION	ERMES004/MINI192K
DATE	15-06-2022	SCALE	WEIGHT
		1:5	6,30 Kg
DRAWN		 MONOLITH DESIGN AND TECHNOLOGICAL RESEARCH FOR WATER	
VALIDATE			
PICCOLO M.		VIA DELL'ARTIGIANO 8/F-8-G, 31050 MONASTIER di TREVISO (TV) tel: 0422 842157 - fax: 0422 708978	
DONE WITH DESIGN CAD - PROHIBITED THE CHANGES MANUAL			