

A

B

C

D

E

F

A

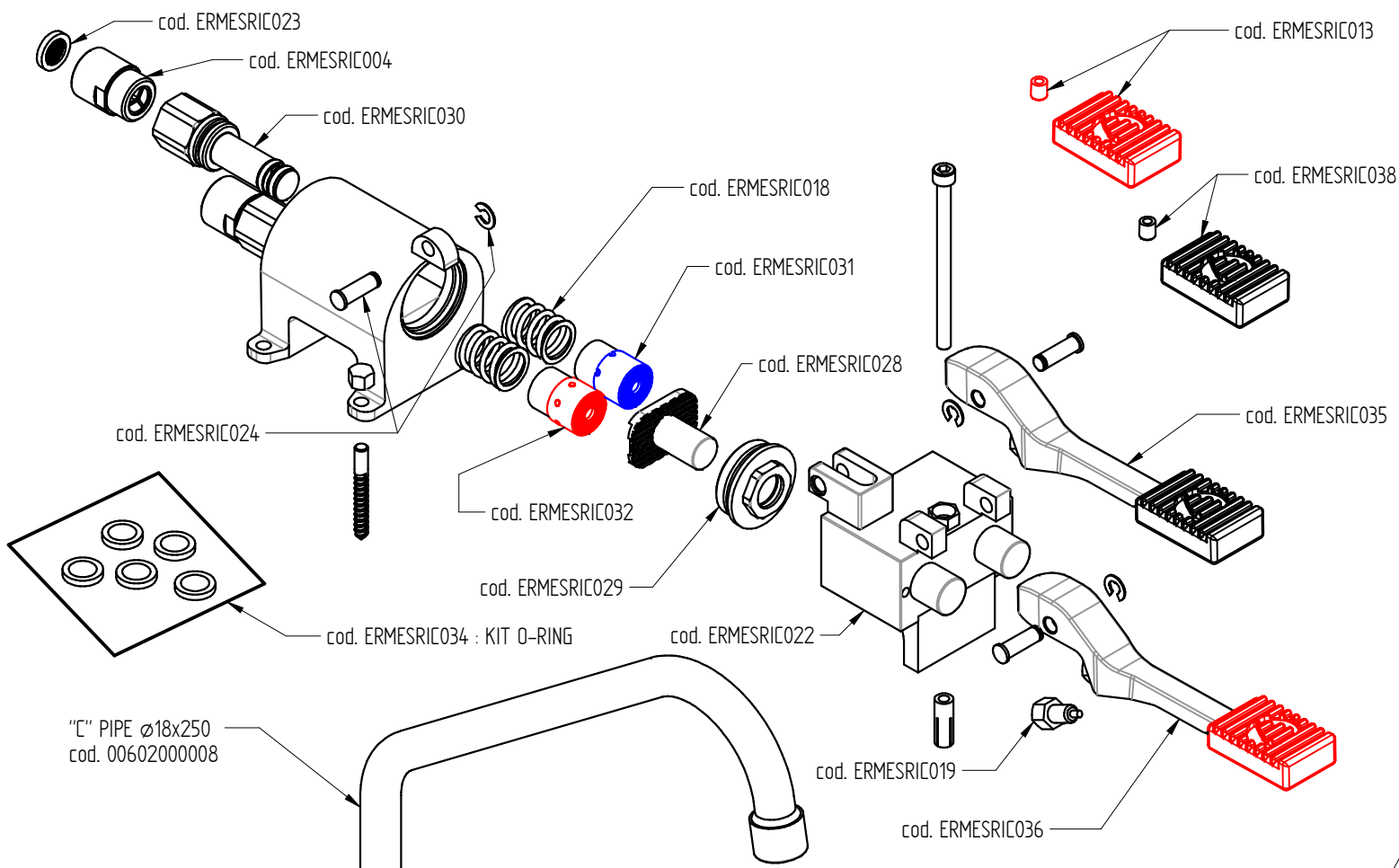
B

C

D

E

F



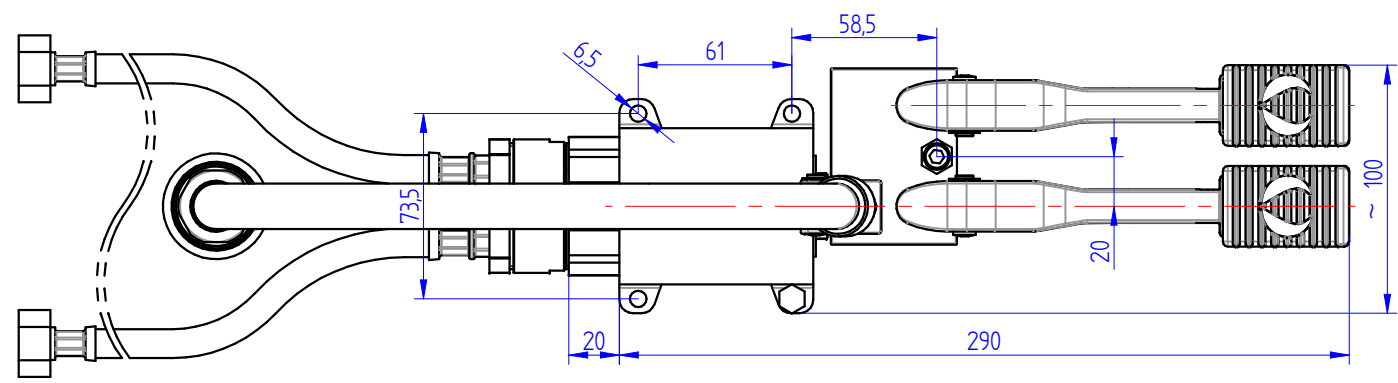
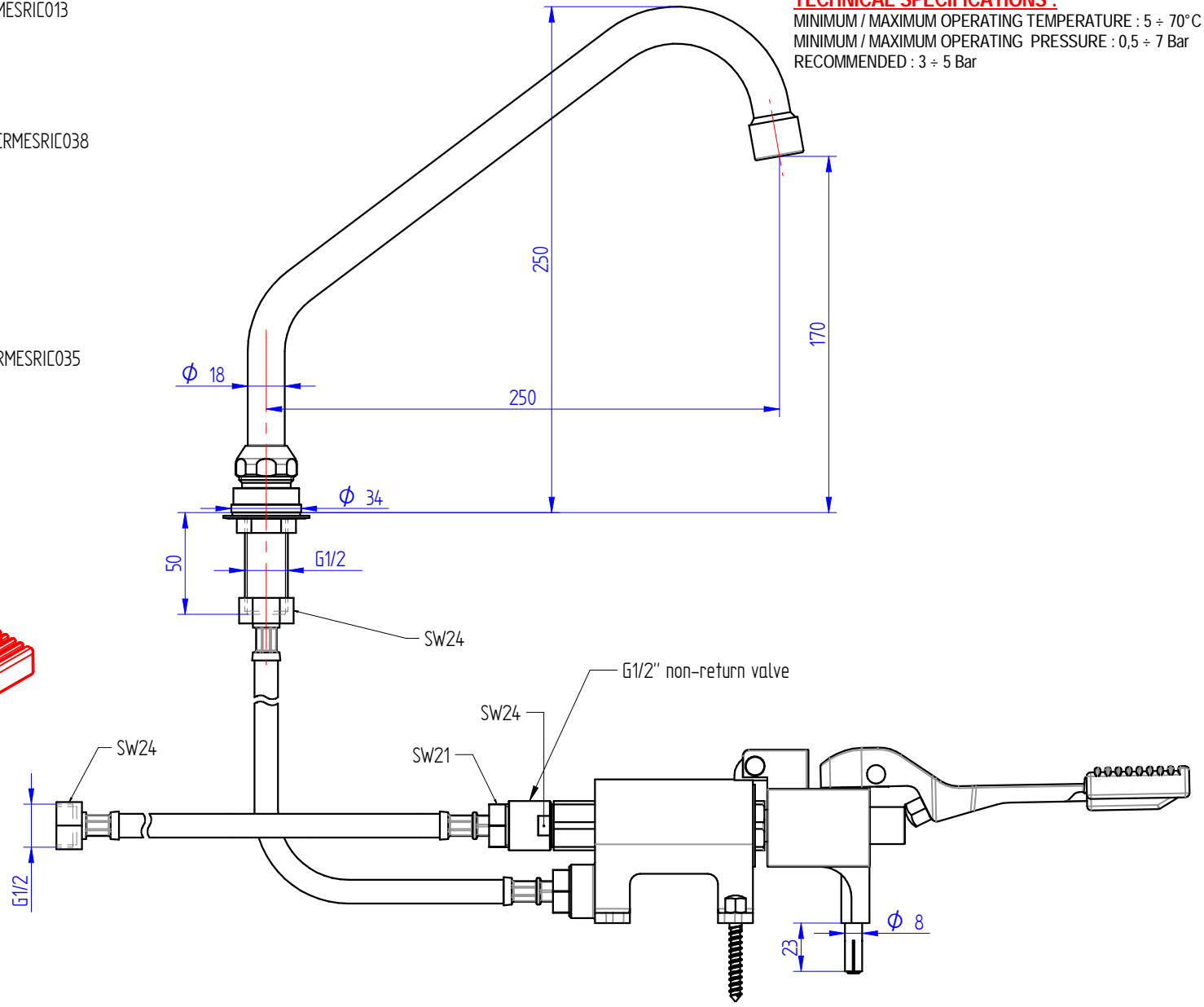
"C" PIPE $\phi 18 \times 250$
cod. 00602000008

FLEX INOX L=1300 G1/2"-G1/2"
cod. 00403000026

FLEX INOX L=900 G1/2"-G1/2"
cod. 00403000025

FOOT OPERATED MIXER TAP WITH LOCKING DEVICE
cod.ERMES004

TECHNICAL SPECIFICATIONS :
MINIMUM / MAXIMUM OPERATING TEMPERATURE : 5 ÷ 70°C
MINIMUM / MAXIMUM OPERATING PRESSURE : 0,5 ÷ 7 Bar
RECOMMENDED : 3 ÷ 5 Bar



FLOW RATE : 14 L/min at 3,5 BAR



WARNINGS :

- For water supply only
- Suitable for indoor use
- Do not use toxic or abrasive products for the tap cleaning
- Install stop valve with filter (recommended) for maintenance operations
- Install filter gaskets (supplied) in the supply line
- Clean the pipes from debris, by to flow the water, before connecting the tap to the supply line
- Installation for release to specialized personnel

Shares without tolerance according to standard UNI-EN-22768-1-m		DESCRIPTION	CODE
SIZE	European Projection	KIT FOOT OPERATED PROGRESSIVE MIXER WITH LOCKING DEVICE, SWINGING "C" SPOUT $\phi 18 \times 250$	ERMES004KIT
A3			WEIGHT
DATE	SCALE		3,65 Kg
18-09-2018	1:3		
DRAWN	PICCOLO M.	 DESIGN AND TECHNOLOGICAL RESEARCH FOR WATER	
VALIDATE	PICCOLO M.		
		VIA DELL'ARTIGIANO 8/F-8-G , 31050 MONASTIER DI TREVISO (TV) tel: 0422 842157 - fax: 0422 708978	
DONE WITH DESIGN CAD - PROHIBITED THE CHANGES MANUAL			