

TECHNICAL SPECIFICATIONS :

MINIMUM / MAXIMUM OPERATING TEMPERATURE : 5 ÷ 70°C
 MINIMUM / MAXIMUM OPERATING PRESSURE : 0,5 ÷ 7 Bar
 RECOMMENDED : 3 ÷ 5 Bar

A

B

C

D

E

F

A

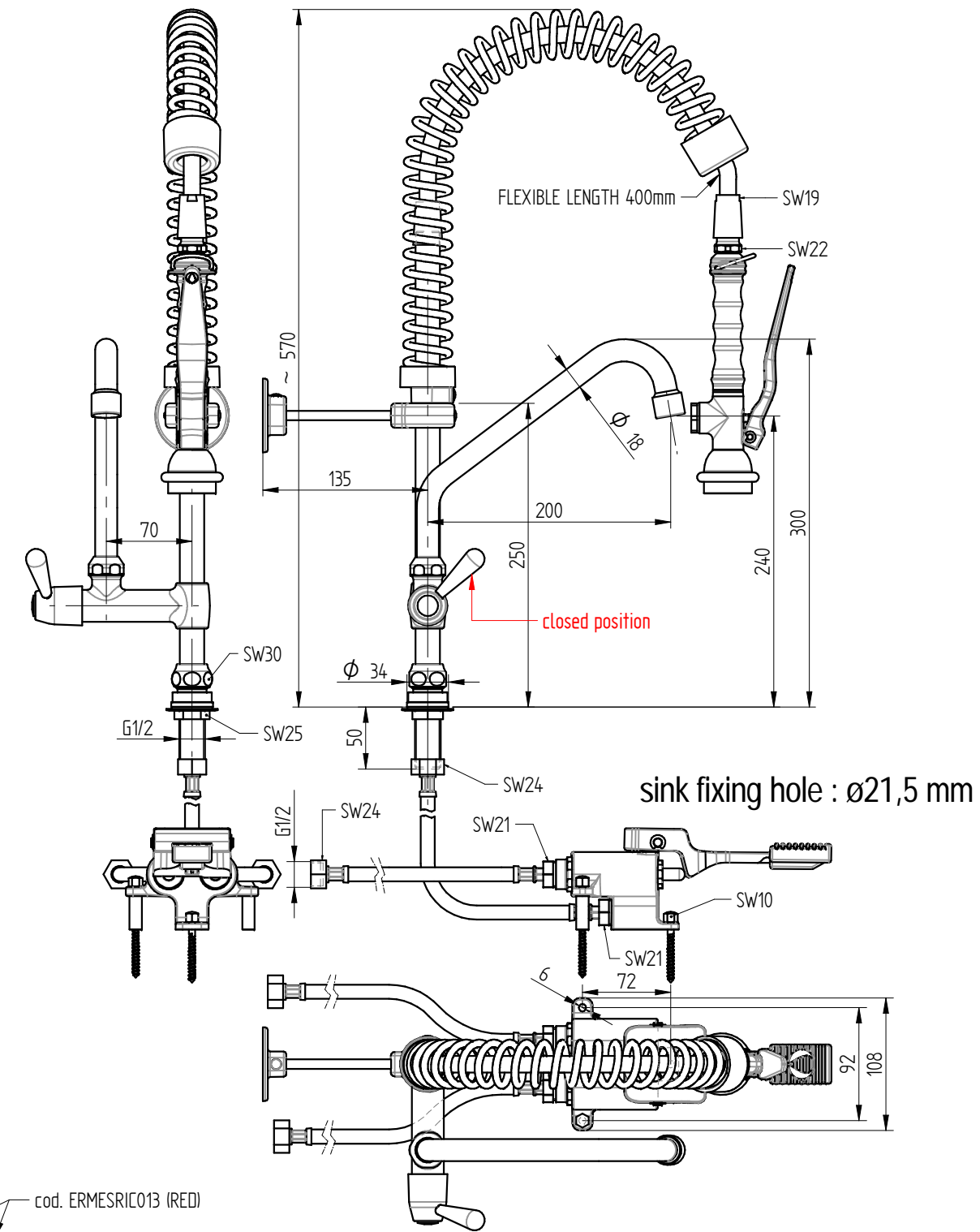
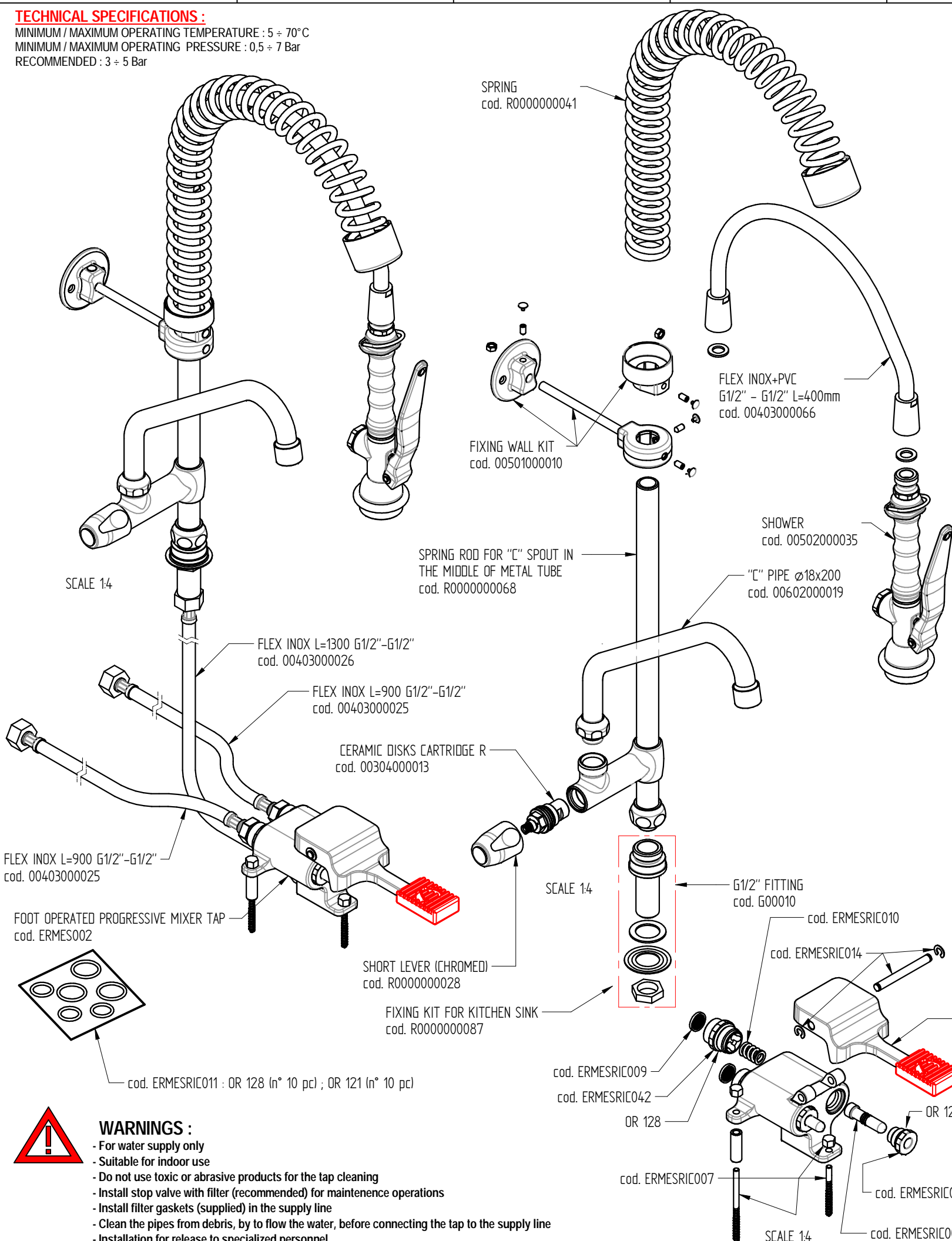
B

C

D

E

F



FLOW RATE : 12 L/min at 3,5 BAR only from the shower
 14 L/min at 3,5 Bar only from the spout
 18 L/min at 3,5 BAR when both + spout are open

WARNINGS :

- For water supply only
- Suitable for indoor use
- Do not use toxic or abrasive products for the tap cleaning
- Install stop valve with filter (recommended) for maintenance operations
- Install filter gaskets (supplied) in the supply line
- Clean the pipes from debris, by to flow the water, before connecting the tap to the supply line
- Installation for release to specialized personnel

Shares without tolerance according to standard UNI-EN-22768-1-m		DESCRIPTION	CODE
SIZE	A3	KIT FOOT OPERATED PROGRESSIVE MIXER WITH PRE-RINSE UNIT AND SWINGING "C" SPOUT ø18x200, LEVER HANDLE, MINI VERSION	ERMES002/MINI192K
DATE	15-06-2022	SCALE	WEIGHT
DRAWN	PICCOLO M.	1:5	5,02 Kg
VALIDATE	PICCOLO M.	<p>DESIGN AND TECHNOLOGICAL RESEARCH FOR WATER</p> <p>VIA DELL'ARTIGIANO 8/F-8-G, 31050 MONASTIER di TREVISO (TV) tel: 0422 842157 - fax: 0422 708978</p> <p>DONE WITH DESIGN CAD - PROHIBITED THE CHANGES MANUAL</p>	
<p>cod. ERMESRIC013 (RED)</p> <p>cod. ERMESRIC003 (RED)</p> <p>OR 128</p> <p>OR 121</p>			