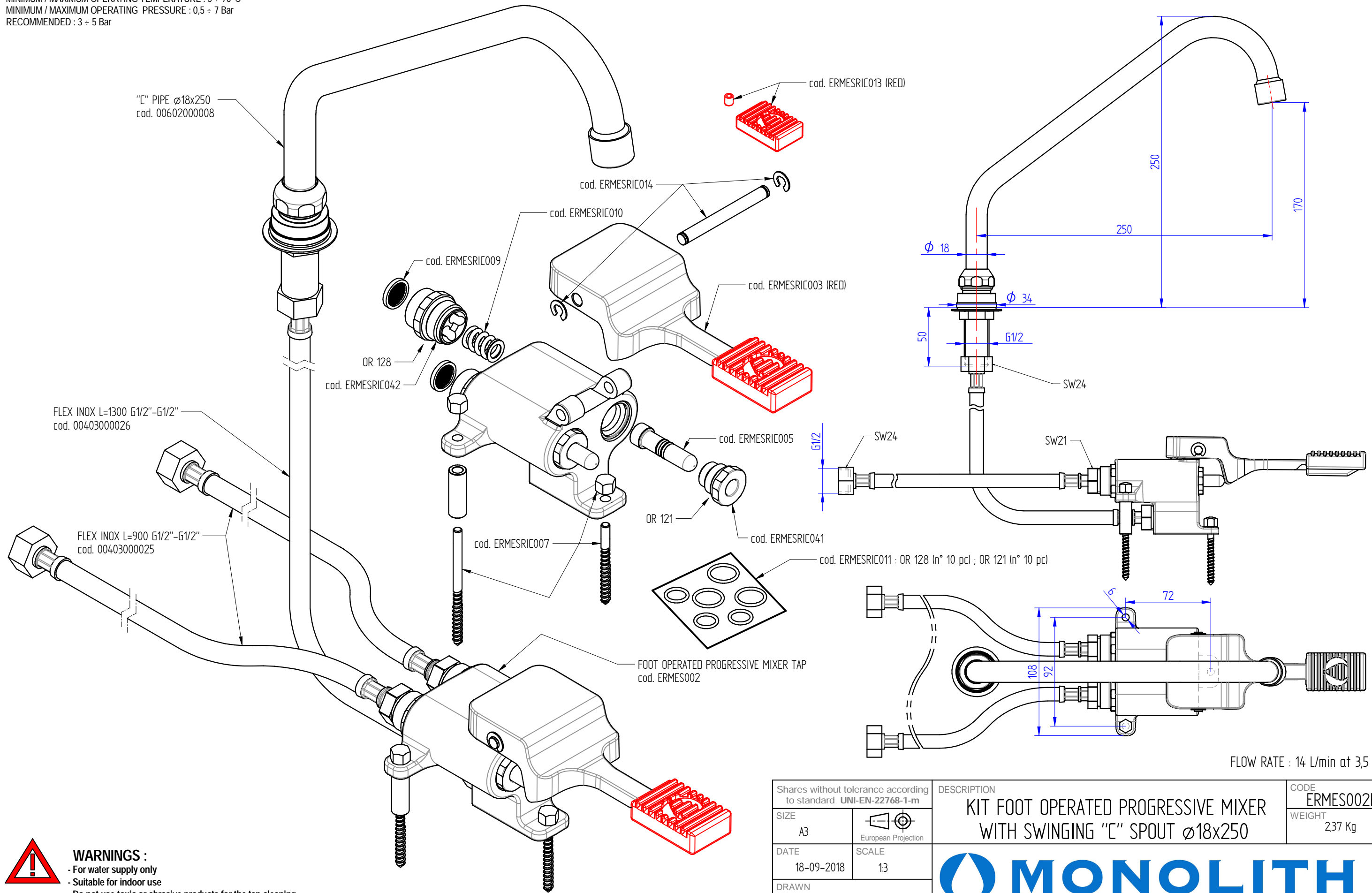


TECHNICAL SPECIFICATIONS :


MINIMUM / MAXIMUM OPERATING TEMPERATURE : 5 ÷ 70°C
 MINIMUM / MAXIMUM OPERATING PRESSURE : 0,5 ÷ 7 Bar
 RECOMMENDED : 3 ÷ 5 Bar



WARNINGS :

- For water supply only
- Suitable for indoor use
- Do not use toxic or abrasive products for the tap cleaning
- Install stop valve with filter (recommended) for maintenance operations
- Install filter gaskets (supplied) in the supply line
- Clean the pipes from debris, by to flow the water, before connecting the tap to the supply line
- Installation for release to specialized personnel

FLOW RATE : 14 L/min at 3,5 BAR

Shares without tolerance according to standard UNI-EN-22768-1-m		DESCRIPTION	CODE
SIZE	 European Projection	KIT FOOT OPERATED PROGRESSIVE MIXER WITH SWINGING "C" SPOUT Ø18x250	ERMES002KIT
A3			WEIGHT 2,37 Kg
DATE	SCALE	 DESIGN AND TECHNOLOGICAL RESEARCH FOR WATER	
18-09-2018	1:3		
DRAWN	PICCOLO M.		
VALIDATE	PICCOLO M.	VIA DELL'ARTIGIANO 8/F-8-G , 31050 MONASTIER DI TREVISO (TV) tel: 0422 842157 - fax: 0422 708978 DONE WITH DESIGN CAD - PROHIBITED THE CHANGES MANUAL	