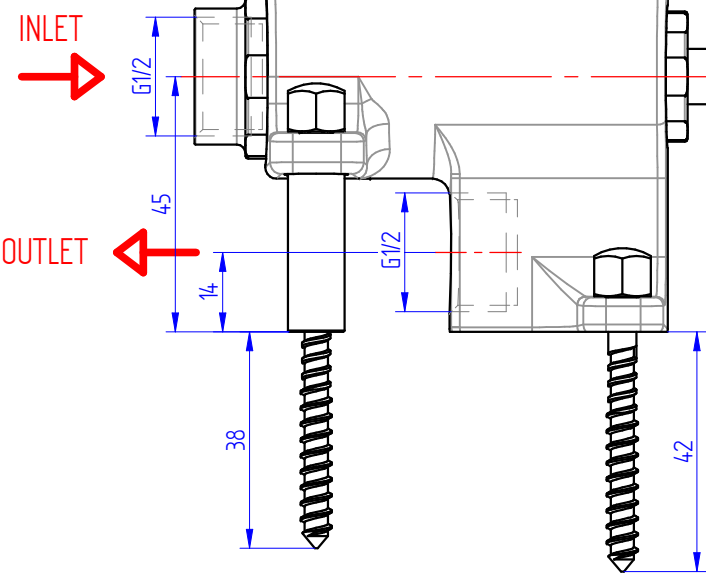
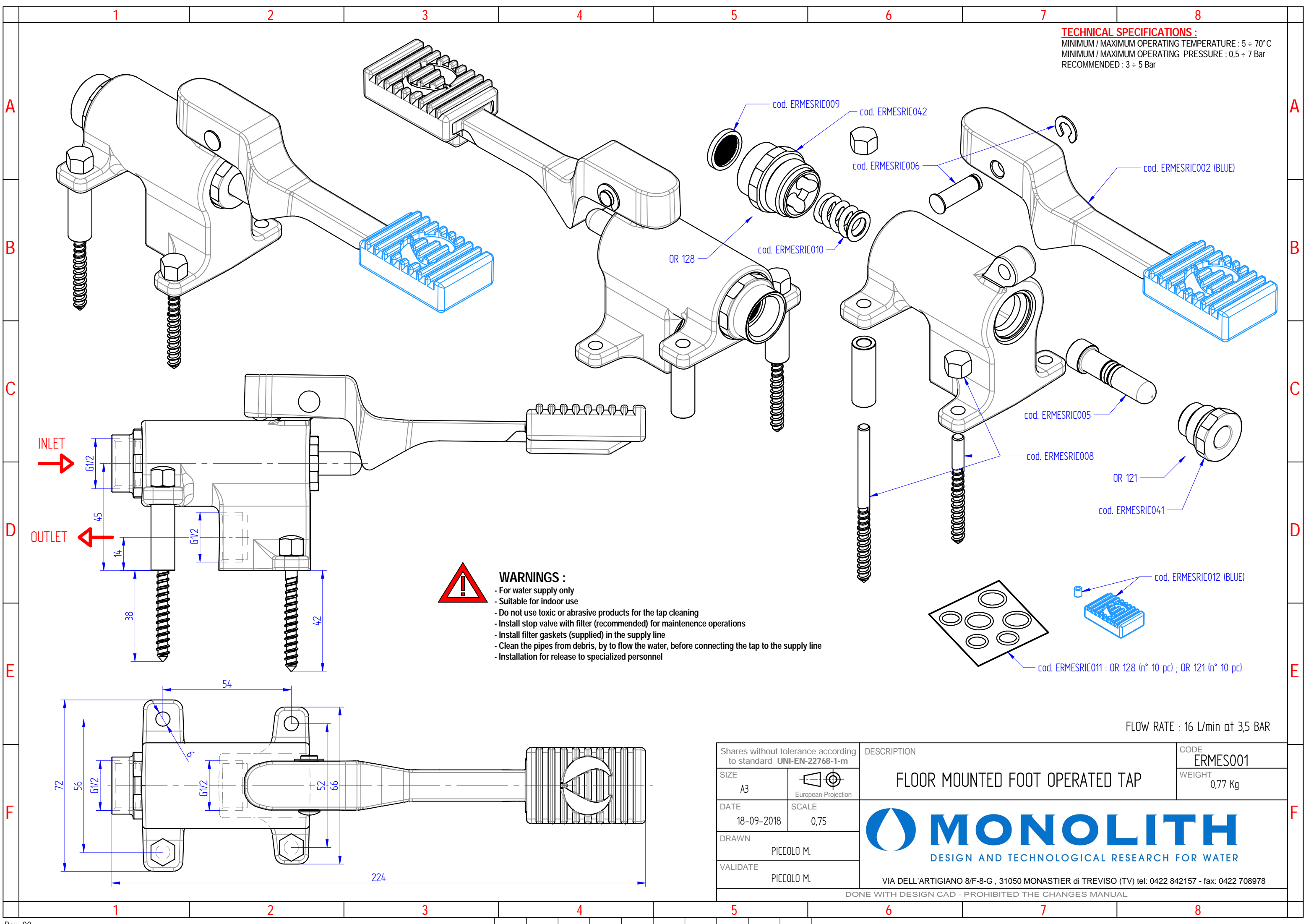
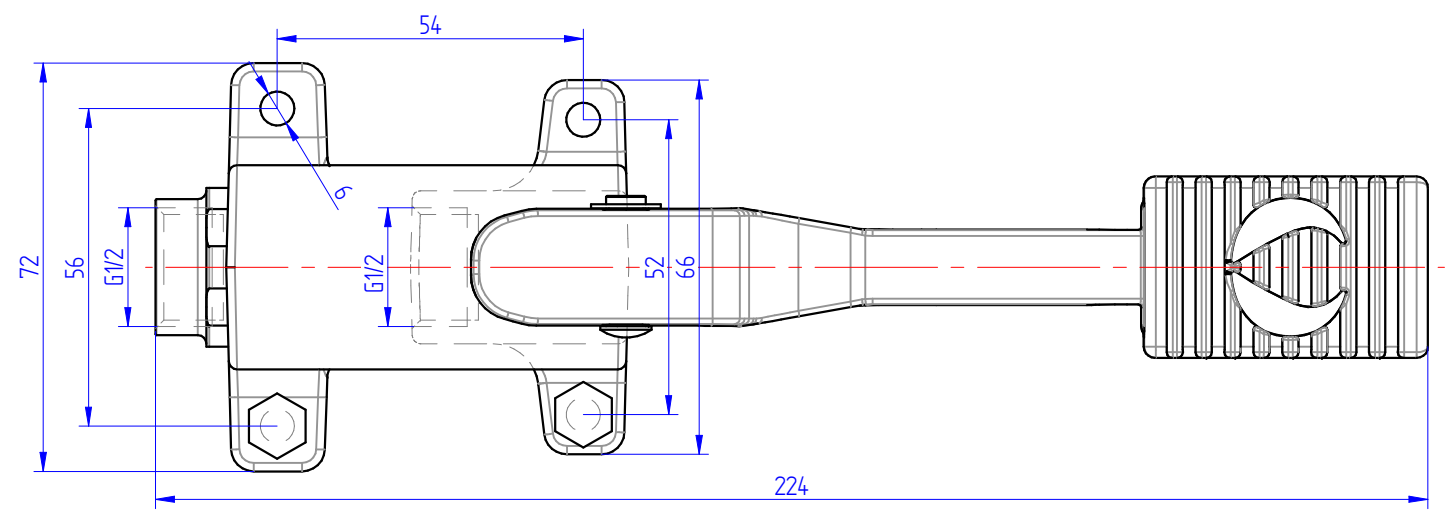


TECHNICAL SPECIFICATIONS :
 MINIMUM / MAXIMUM OPERATING TEMPERATURE : 5 ÷ 70°C
 MINIMUM / MAXIMUM OPERATING PRESSURE : 0,5 ÷ 7 Bar
 RECOMMENDED : 3 ÷ 5 Bar



WARNINGS :

- For water supply only
- Suitable for indoor use
- Do not use toxic or abrasive products for the tap cleaning
- Install stop valve with filter (recommended) for maintenance operations
- Install filter gaskets (supplied) in the supply line
- Clean the pipes from debris, by to flow the water, before connecting the tap to the supply line
- Installation for release to specialized personnel



FLOW RATE : 16 L/min at 3,5 BAR

Shares without tolerance according to standard UNI-EN-22768-1-m		DESCRIPTION	CODE
SIZE	A3	FLOOR MOUNTED FOOT OPERATED TAP	ERMES001
DATE	18-09-2018	SCALE	WEIGHT
DRAWN	PICCOLO M.	0,75	0,77 Kg
VALIDATE	PICCOLO M.	 DESIGN AND TECHNOLOGICAL RESEARCH FOR WATER VIA DELL'ARTIGIANO 8/F-8-G , 31050 MONASTIER di TREVISO (TV) tel: 0422 842157 - fax: 0422 708978	
DONE WITH DESIGN CAD - PROHIBITED THE CHANGES MANUAL			