

TECHNICAL SPECIFICATIONS :

MINIMUM / MAXIMUM OPERATING TEMPERATURE : 5 ÷ 70°C
 MINIMUM / MAXIMUM OPERATING PRESSURE : 0,5 ÷ 7 Bar
 RECOMMENDED : 3 ÷ 5 Bar

A

B

C

D

E

F

A

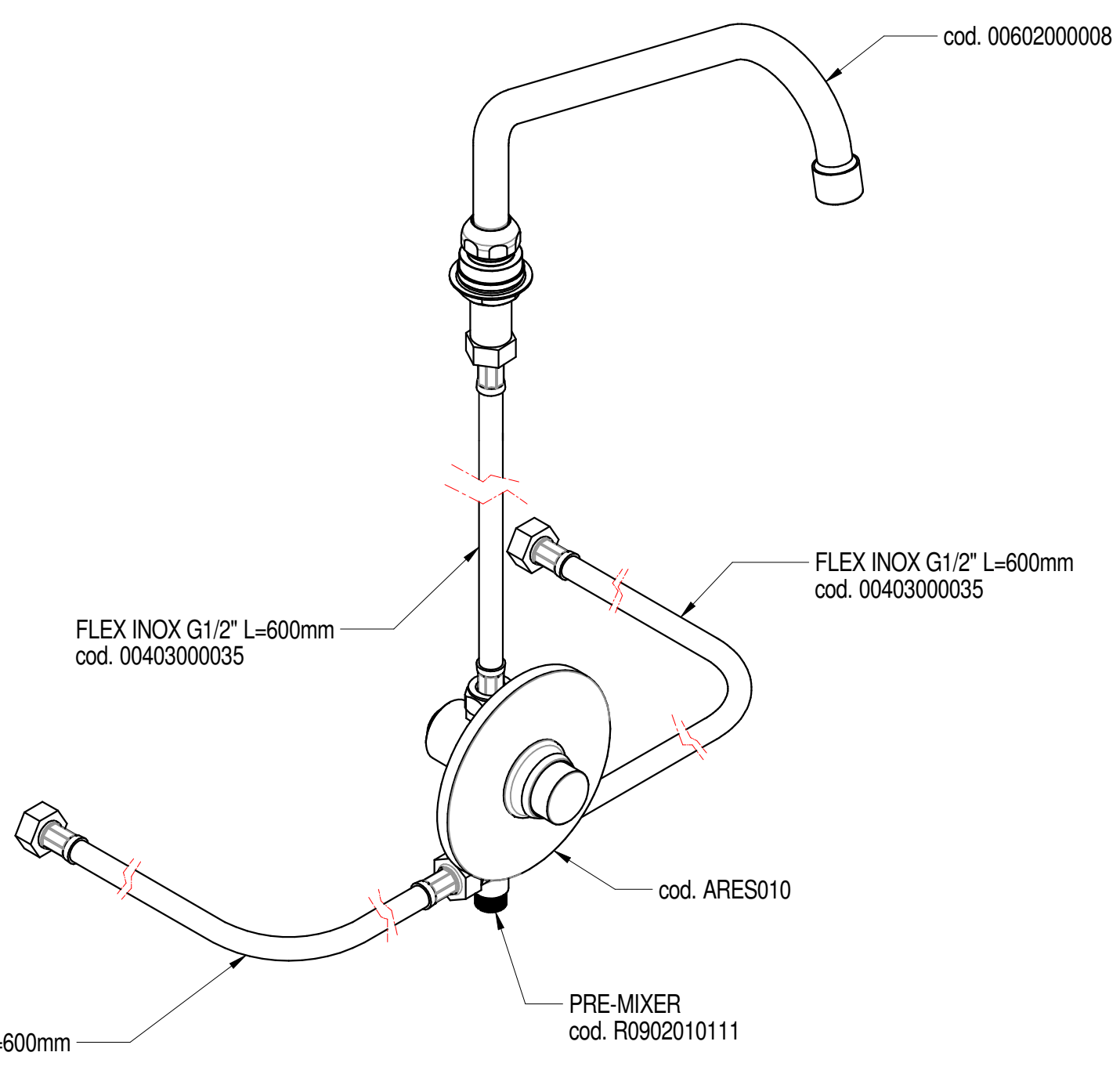
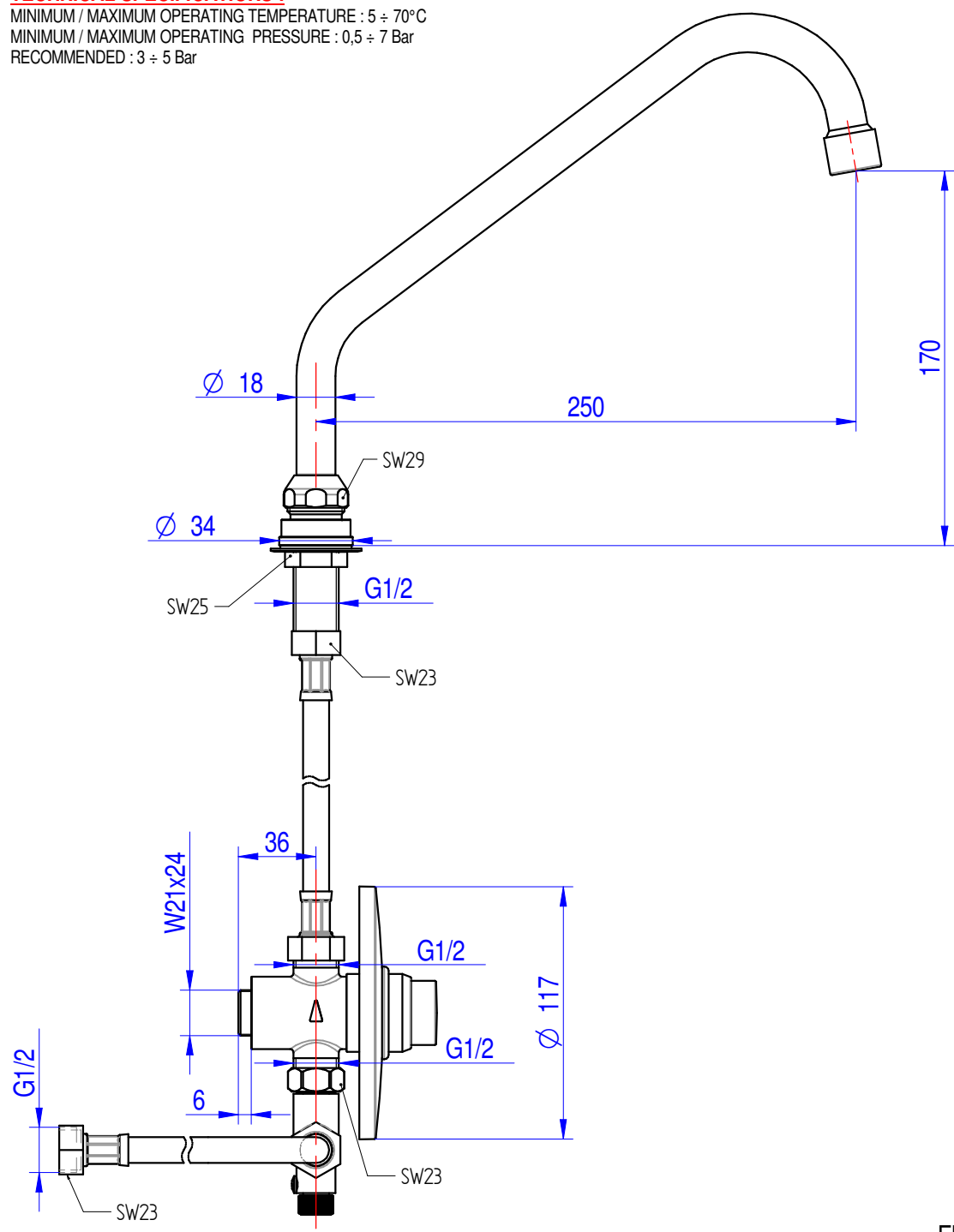
B

C

D

E

F



FLEX INOX G1/2" L=600mm
cod. 00403000035

sink fixing hole : $\varnothing 21,5$ mm

Shares without tolerance according to standard UNI-EN-22768-1-m		DESCRIPTION	CODE
SIZE	 European Projection	KIT INCLUDING CONCEALED WALL MOUNTED SELF CLOSING TAP FOR SHOWER, BASIN SPOUT AND FLEXIBLES	ARES010KIT
A3			WEIGHT
DATE	SCALE	 DESIGN AND TECHNOLOGICAL RESEARCH FOR WATER	1,39 Kg
18-12-2018	13		
DRAWN			
	PICCOLO M.	VIA DELL'ARTIGIANO 8/F-8-G , 31050 MONASTIER di TREVISO (TV) tel: 0422 842157 - fax: 0422 708978	
VALIDATE	PICCOLO M.	DONE WITH DESIGN CAD - PROHIBITED THE CHANGES MANUAL	