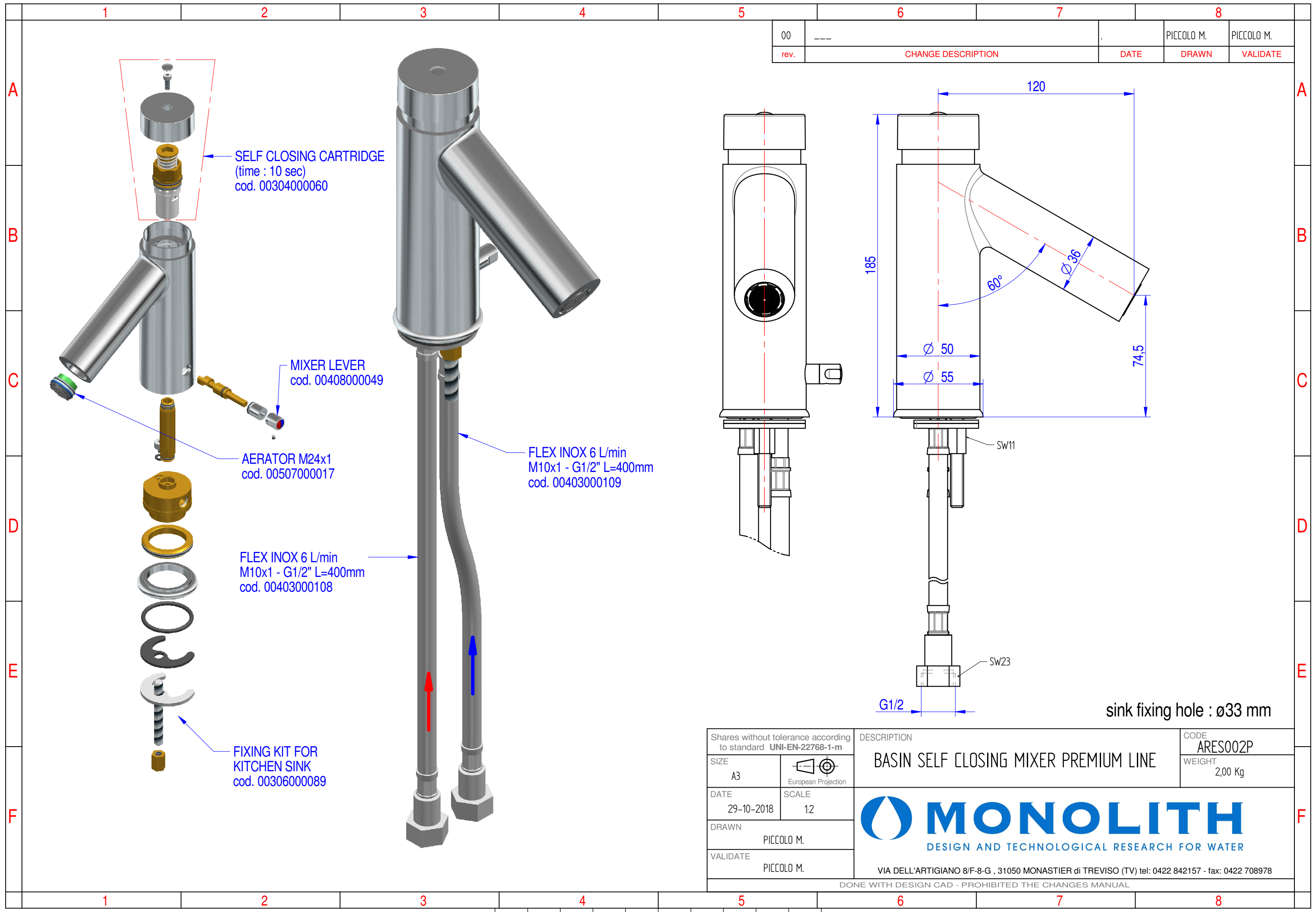


00	---		PICCOLO M.	PICCOLO M.
rev.	CHANGE DESCRIPTION	DATE	DRAWN	VALIDATE



SELF CLOSING CARTRIDGE
(time : 10 sec)
cod. 00304000060

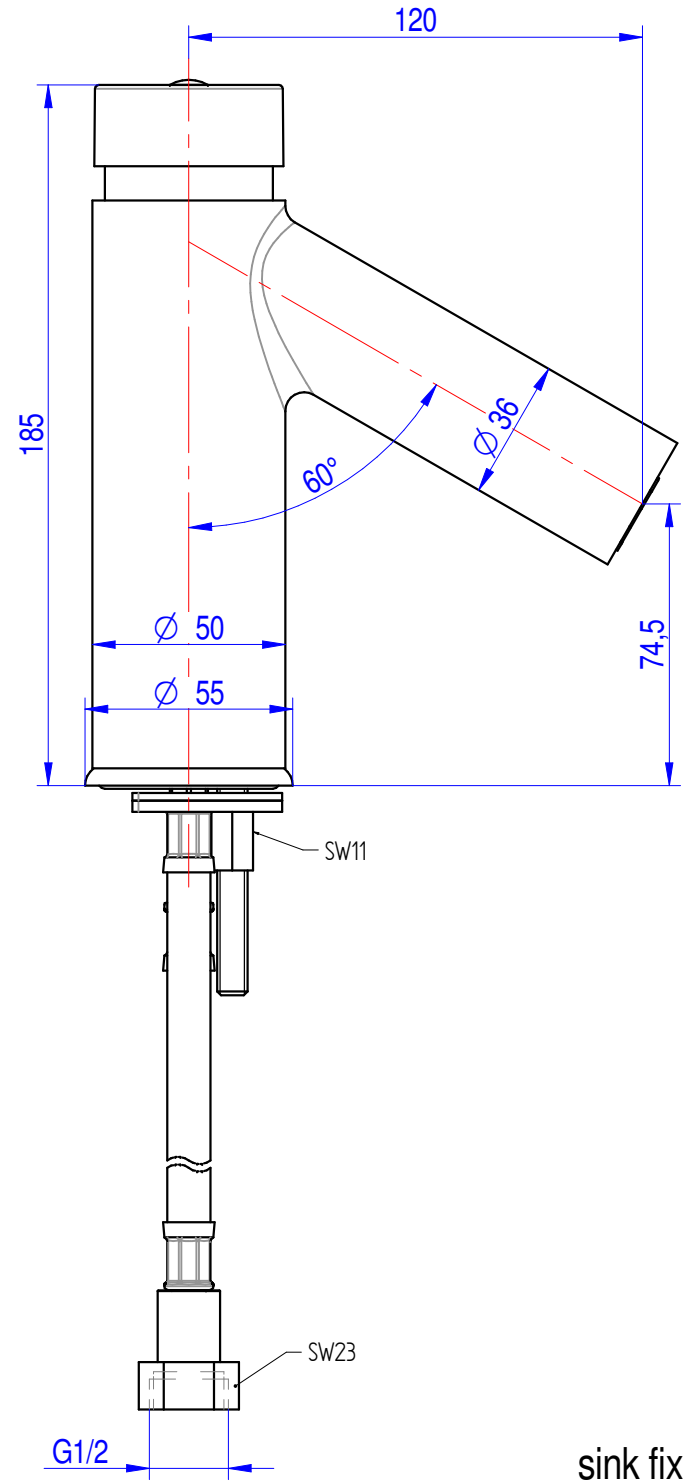
MIXER LEVER
cod. 00408000049

AERATOR M24x1
cod. 00507000017

FLEX INOX 6 L/min
M10x1 - G1/2" L=400mm
cod. 00403000108

FIXING KIT FOR
KITCHEN SINK
cod. 00306000089

FLEX INOX 6 L/min
M10x1 - G1/2" L=400mm
cod. 00403000109



sink fixing hole : $\varnothing 33$ mm

Shares without tolerance according to standard UNI-EN-22768-1-m		DESCRIPTION	CODE
SIZE A3	European Projection	BASIN SELF CLOSING MIXER PREMIUM LINE	ARES002P
DATE 29-10-2018	SCALE 12		WEIGHT 2,00 Kg
DRAWN PICCOLO M.		 DESIGN AND TECHNOLOGICAL RESEARCH FOR WATER	
VALIDATE PICCOLO M.			
VIA DELL'ARTIGIANO 8/F-8-G , 31050 MONASTIER di TREVISO (TV) tel: 0422 842157 - fax: 0422 708978			
DONE WITH DESIGN CAD - PROHIBITED THE CHANGES MANUAL			